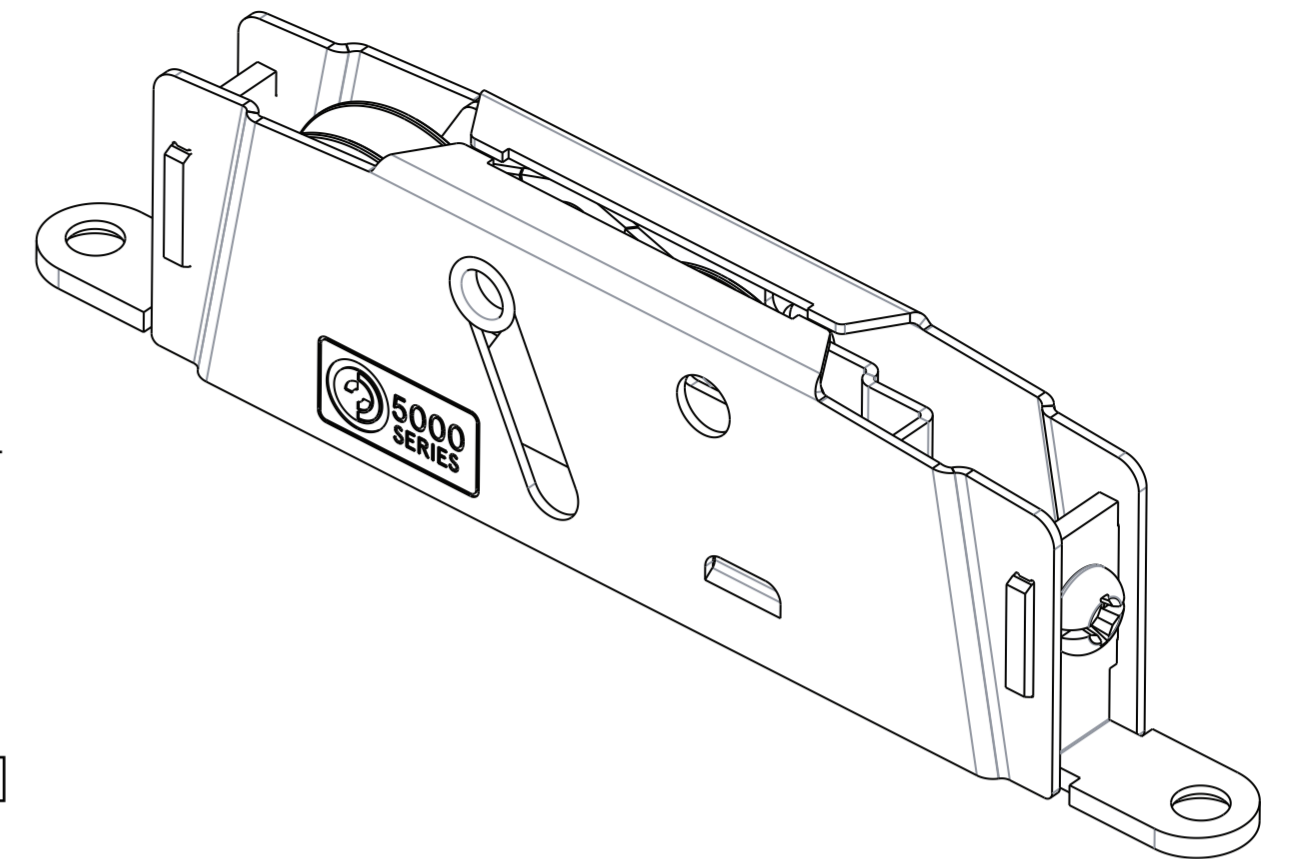
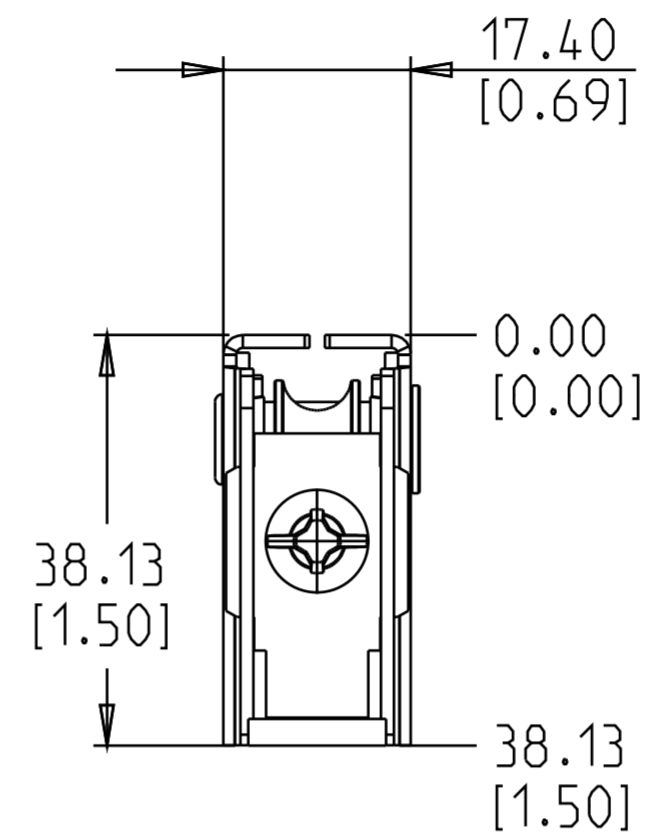


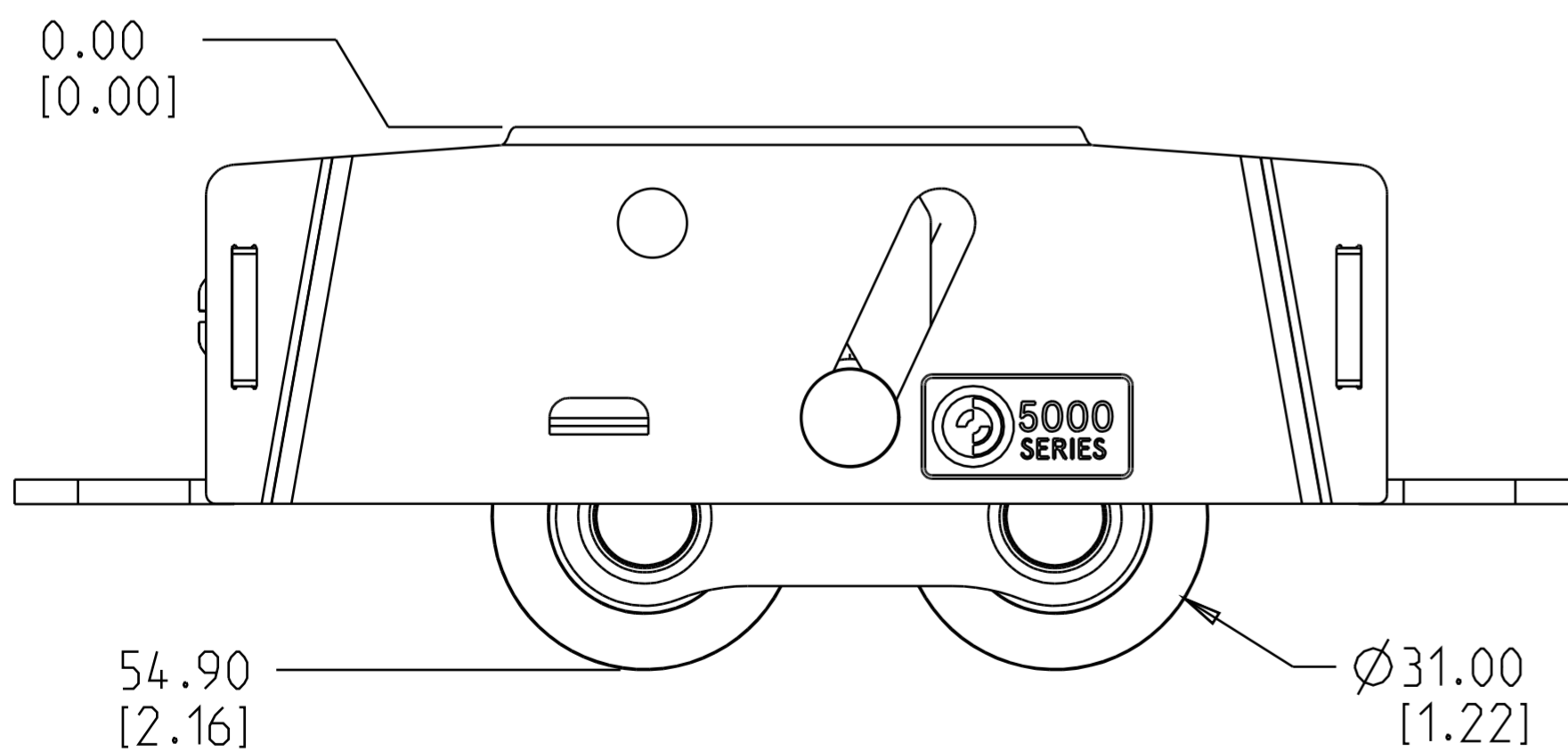
FULLY RETRACTED AS SUPPLIED



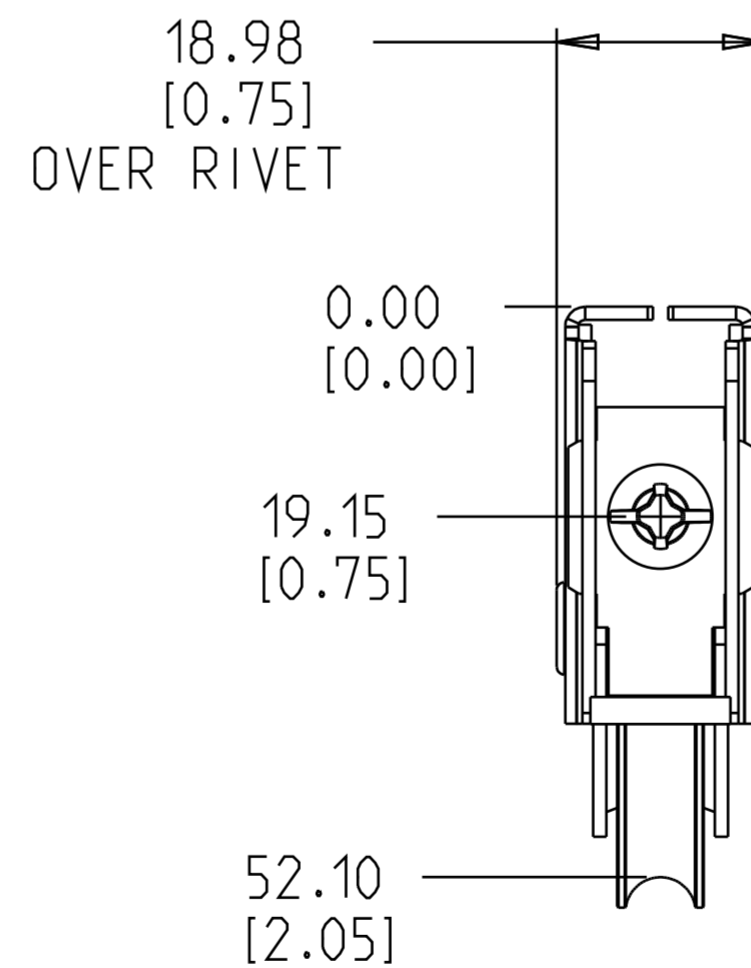
5000 Series

For more information and dimensions please contact:
 AUS & NZ - sales@anthonygroup.net
 North America - salesna@anthonygroup.net

The design of this product is property of Anthony Innovations.
 Measurements displayed in centimetres and inches.



FULLY ADJUSTED





**ANTHONY
INNOVATIONS**
Moving Doors And Windows Forward

Technical information – 7000 Series

1. Independently tested in accordance to AAMA 905 at 10,000 cycles.
2. Part materials:
 - a) Housing: Options available in mild steel, stainless steel, .
 - b) Wheel variables: Available in acetal[stainless steel GR304??] or [machine polymer??].
 - c) Ball bearings: Stainless steel
 - d) Hardware: GR303/GR304 [??]
3. Load capacity
200kg (440lbs) per roller assembly or 400kg (880lb) per panel weight.
4. Variants available: wings, wheel types and attachments.