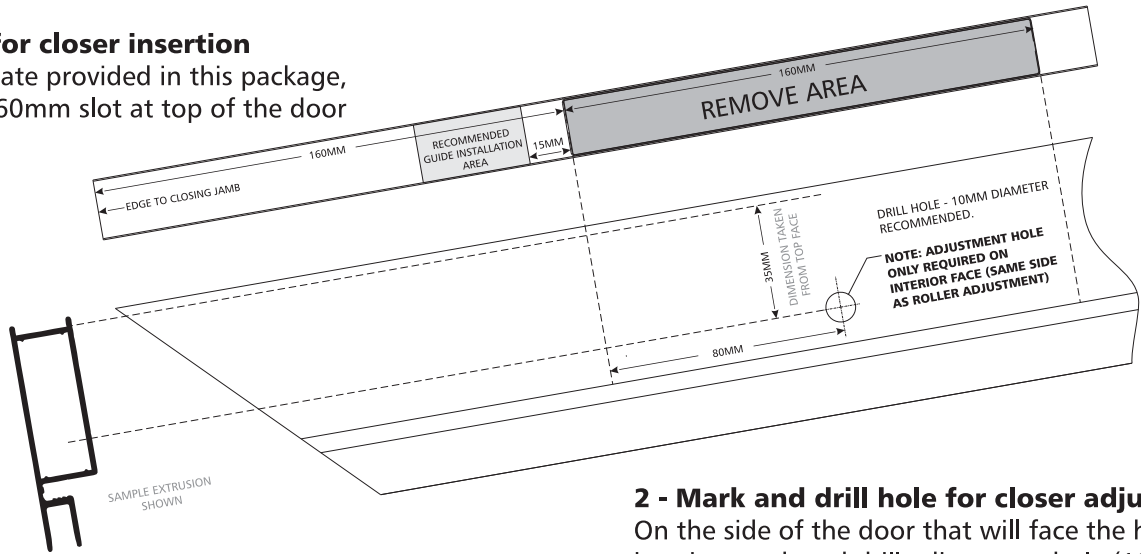


**1 - Mark cut out for closer insertion**

Using cutting template provided in this package, mark and cut out 160mm slot at top of the door for closer insertion.



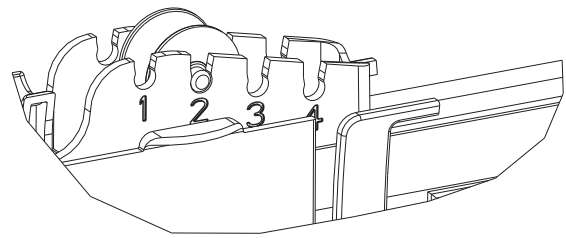
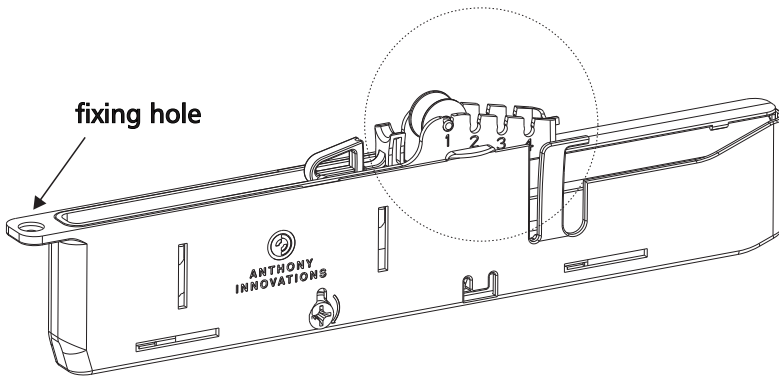
Cutting template provided on separate page

**2 - Mark and drill hole for closer adjustment**

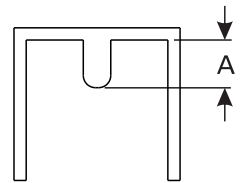
On the side of the door that will face the house interior, mark and drill adjustment hole (10mm diameter recommended). This will locate the adjustment driver position.

**3 - Select the necessary guide offset**

Wheel offset height based on the height of track located in the top of the frame

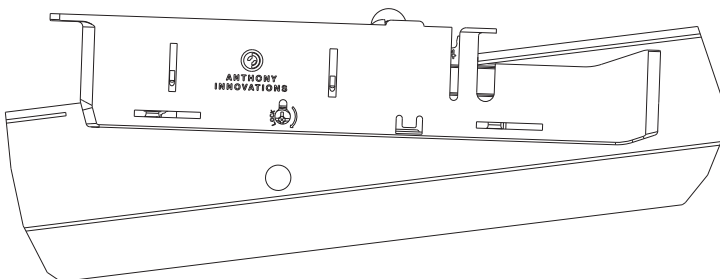


DIMENSION A	POSITION
0.0 - 3.0mm	1
3.0 - 5.0mm	2
5.0 - 7.0mm	3
7.0 - 9.0mm	4



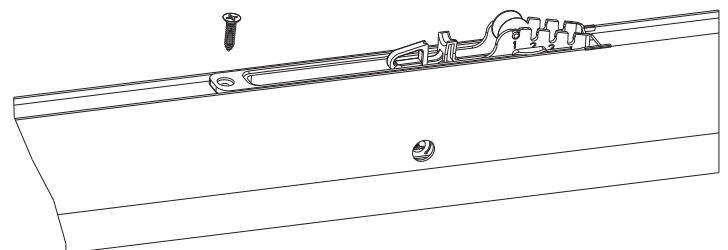
**4 - Insert the closer into the cut-out**

Ensure that the inner components are compressed as the closer is being inserted, and that the fixing hole is closest to the jamb.



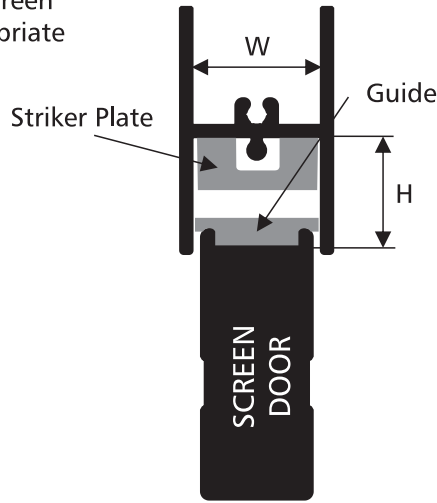
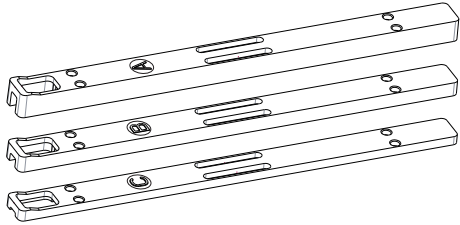
**5 - Fix closer to the door**

Fix the closer assembly in place with the self-drilling screw provided, or a rivet.



### 6 - Striker plate selection

Establish clearance between top of screen door and head (H) to establish appropriate striker plate to be used. A, B or C.

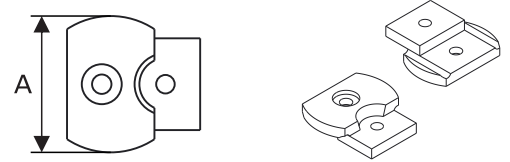


Door End View

DIMENSION (H)	STRIKER SELECTION
9-12mm	A
11-16mm	B
15-19mm	C

### 7 - Guide selection and installation (optional)

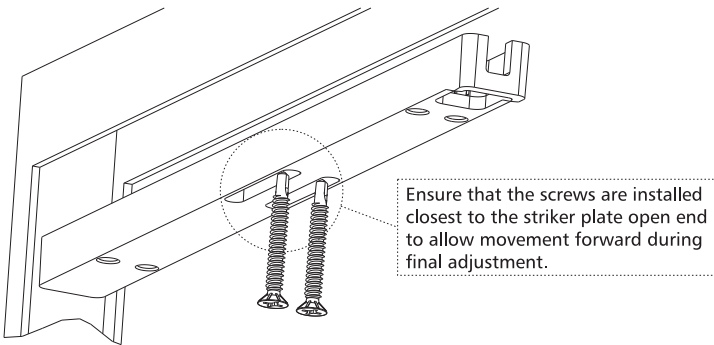
Only used if rollers are not installed at top of screen doors or door requires additional guiding. See template for installation instructions.



DIMENSION (W)	GUIDE SELECTION (A)
19-21mm	21.5mm
21-23mm	23.5mm
23-25mm	25.9mm

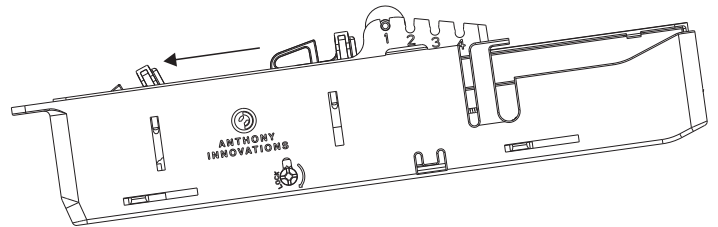
### 8 - Install the closer strike plate using slotted holes

Using the self-drilling sheet metal screws provided, fit strike plate using slotted holes by butting closed end against the side and head of the door frame (locking side).



### 9 - Charge the closer

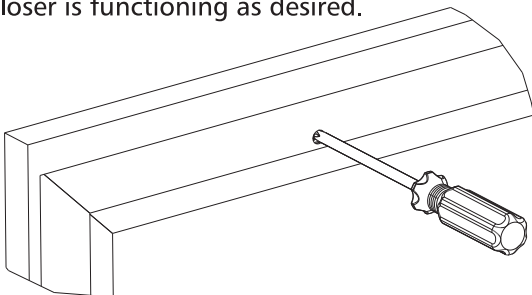
Pull the latching component down the length of the closer until it locks into place.



### 10 - Install door into the frame

### 11 - Adjust closer and check functionality

Adjustment screw on closer as per general roller installation. Open and close the security door to ensure the closer is functioning as desired.

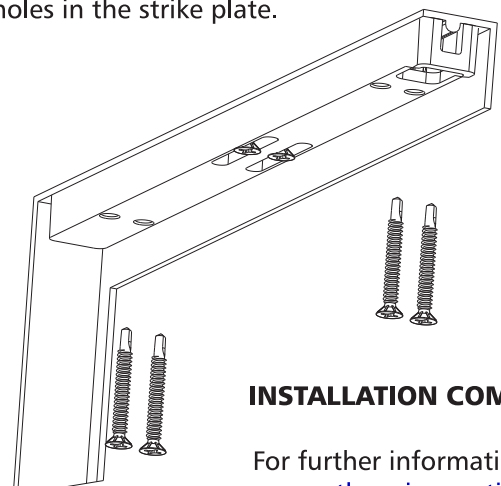


Over tensioning of rollers and closer will create excessive pressure and impede screen door from closing. To resolve, back off adjustment screws by quarter of a turn.

Repositioning the strike plate by loosening screws in slotted holes. Move strike plate as necessary.

### 12 - Fix off strike plate

Once desired functionality is achieved, fix off the strike plate by placing remaining long self-drilling screws into the 4 holes in the strike plate.



**INSTALLATION COMPLETE**

For further information visit [www.anthonyinnovations.com](http://www.anthonyinnovations.com)