



SPECIALTY BEARINGS

for the
MATERIALS HANDLING INDUSTRY



SPECIALTY BEARINGS

ANTHONY INNOVATIONS

SPECIALTY BEARINGS

Anthony Innovations produces a wide variety of products for materials handling applications across a range of industries. For example:

- Bearings for rollers, ball transfer units and wheel bearings through to speed rail trolleys and overhead poultry conveyors.
- Sub-zero temperatures up to 180 degree celsius.
- A variety of seals and protective surface treatments.
- Steel, Stainless Steel, Aluminium and Thermo-Plastic compounds.

As a specialist bearing manufacturer we not only offer the ability to manufacture small runs (down to 500 lots) for replacement of obsolete systems, but also can design and build bearings and brackets to suit the most demanding requirements all under the ISO9001:2000 Quality System.

Our extensive experience, in the use of high grade engineering resins and research and development, enables you to access the latest in innovation and value added designs.

So whether your requirements are for large or small quantities from foundry to food processing, Anthony Innovations can work with you to find the solution.



SPECIALTY BEARINGS

ANTHONY INNOVATIONS

GENERAL INFORMATION



ANTHONY INNOVATIONS

Since 1951, Anthony Innovations (formerly Anthony Bearings) has been an innovative designer, manufacturer and supplier of specialty bearings, componentry and sophisticated injection mouldings. The products are used in many industries including building, materials handling, automotive, food processing, furniture, and mining equipment.

Our focus is on the design of motion devices and hardware systems that leverage off our design, engineering and manufacturing capabilities.

PRODUCT DESIGN

Our New Product Development department offers a design and consultancy service to our customers. We are committed to provide the highest quality technical support and design services. We utilise CAD/CAM hardware and software systems that are capable of interchanging with a wide range of formats.



SPECIALTY BEARINGS

ANTHONY INNOVATIONS

GENERAL INFORMATION

PROTOTYPING SERVICES

Anthony's can supply prototype models prior to production tooling where requested, allowing customers to test and analyse their products prior to full production.

3D model files are supplied to illustrate each component design in full detail.

PRODUCT TESTING

All our test aim to establish the anticipated durability and performance of our product.

Anthony Innovations range of testing equipment is combined with years of technical experience. Our tests include

- Cyclic Testing
- Dynamic Load Testing
- Static Load Testing
- Contamination Testing
- Salt Spray Testing
- Destructive Testing
- Chemical Composition Testing

RESEARCH AND DEVELOPMENT

Anthony Innovations strong commitment to research and development is what sets us apart from our competitors. This commitment over many years has led to real product innovation and has established us as market leaders of motion devices and hardware systems.



SPECIALTY BEARINGS

ANTHONY INNOVATIONS

CONTENTS

	PAGE		PAGE		PAGE		PAGE
B14004	16	JK18008O	10	K54116	4	P26098	17
B14006	16	JK18210	10	K5416	4	P32006A	16
B14095	17	JK18211O	10	K5419	4	P32098	17
B14096	17	JK2208	10	K70116	4	S10004S	16
B14208	16	JK2208O	10	K70124	4	S10094S	17
B15006	16	JK2311	10	K7016	4	S11004S	16
B16004S	16	JK28008	11	K7019	4	S19104	16
B16095	17	JK28008P	12	NA324	27	SF3105	22
B18095	17	JK28010	11	NA353	27	SJ1901	23
B18095S	17	JK28010P	12	NA372	27	SJ1902	23
D30006	1	JK28012	11	NA375	27	SJ1903	23
D30006F	2	JK28012P	12	NB3202	22	SJ1904	23
D30007	1	JK28014	11	NB3206	22	SJ1907	23
D30007F	2	JK28220P	12	NB3214	25	SJ1909	23
D30008	1	JK51 BEARINGS	19	NB3218	25	SJ44 BEARINGS	20
D30008F	2	K15004	3	ND1905	23	SKATE WHEELS	15
D30010	1	K15005	3	ND1908	22	T1308	14
D30010F	2	K15006	3	ND1913	23	T1508	14
D30012	1	K18004	3	ND1918	23	T16008	14
D30012F	2	K18004F	5	ND1919	23	T16208	14
D30210	1	K18005	3	ND1921	22	T18010	14
D32006F	2	K18005F	5	ND1922	23	T23013	14
D32008F	2	K18006	3	ND1925	22	T23014	14
D32010F	2	K18006F	5	ND1944	23	T26016	14
D32012	1	K18007	3	ND1947	23	T26216	14
D32012F	2	K18007F	5	ND2001	22	T26219	14
D32014F	2	K18008	3	ND2901	22	T32016	14
D32016F	2	K18008F	5	ND2903	22	T32020	14
D35018	1	K18018F	5	ND3201	24	T32022	14
D35018	1	K18213F	5	ND3604	24	T32219	14
D35108F	2	K35106	3	ND3701	24	T48008	14
D35110	1	K35106F	5	ND3709	24	T48008G	14
D35110F	2	K35107	3	NE3802	25	T56018G	14
D70112	1	K35107F	5	NE3804	25	T56032G	14
DL BEARINGS	15	K35108	3	NE3809	25	T56219	14
E22006S	16	K35108F	5	NE381	22	T56219G	14
E22095	17	K35109	3	NE3818	26	T80014	14
FH BEARINGS	6	K35109F	5	NE385	26	T80014G	14
G22008	13	K35110	4	NE4302	24	T80018G	14
G26008	13	K35110F	5	NK SERIES	13	T80219G	14
H BEARINGS	6	K43105	4	NK3102	22	TB16	18
J26012F	8	K43106	4	NL1601	24	TBS16	18
J26220F	8	K43108	4	NL389	27	TROLLEY FOR	
J27012	7	K4311	4	NS2504	24	FOOD PROCESSING	21
J28012	7	K4312	4	NS2704	24		
J28014	7	K4314	4	NY241	26	Technical Information	28 - 39
J34018	7	K4316	4	NY2501	22		
J35108	7	K4319	4	NY2505	25		
J35108F	8	K46106	4	NY251	26		
J35112	7	K46108	4	NY255	26		
J35112F	8	K4611	4	NY256	26		
JK14006	9	K4616	4	NY257	26		
JK14006O	9	K4619	4	NY382	26		
JK18005O	10	K54108	4	P24010S	16		
JK18008	10	K5411	4	P25098	17		



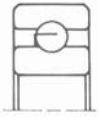
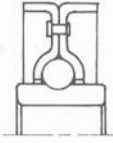





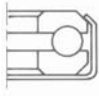
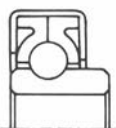


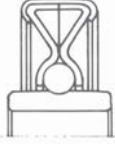
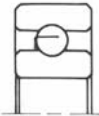
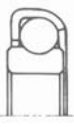
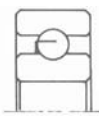

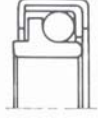
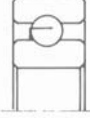
SPECIALTY BEARINGS

ANTHONY INNOVATIONS

SPECIAL BEARING CONSTRUCTIONS

Illustrations below are the most commonly used construction types of Anthony Specialty Bearings.

Variations are available.

<p>B</p>  <p>PAGES: 16 - 17</p>	<p>FH</p>  <p>PAGE 6</p>	<p>K</p>  <p>PAGES 3 - 5</p>	<p>TB</p>  <p>PAGE 18</p>
<p>DL</p>  <p>PAGE 15</p>	<p>G</p>  <p>PAGE 13</p>	<p>ND</p>  <p>PAGE 22 - 24</p>	<p>T</p>  <p>PAGE 14</p>
<p>D</p>  <p>PAGES 1 - 2</p>	<p>H</p>  <p>PAGE 6</p>	<p>NK</p>  <p>PAGE 22</p>	<p>V</p>  <p>PAGE 15</p>
<p>E</p>  <p>PAGES 16 - 17</p>	<p>JK</p>  <p>PAGES 9 - 12, 19</p>	<p>P</p>  <p>PAGES 16 - 17</p>	
<p>FH</p>  <p>PAGE 6</p>	<p>J</p>  <p>PAGES 7 - 8</p>	<p>S</p>  <p>PAGES 16 - 17</p>	



SPECIALTY BEARINGS

ANTHONY INNOVATIONS

D BEARINGS

COMMON APPLICATION

RECOMMENDED FOR MEDIUM TO HEAVY DUTY GRAVITY ROLLER CONVEYORS AND INDUSTRIAL WHEELS

FEATURES

ALL STEEL CONSTRUCTION

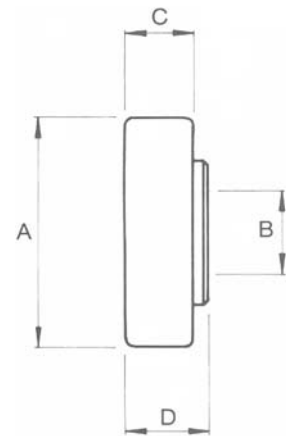
HIGH LOAD CAPACITY - HIGH IMPACT RESISTANT

NITRILE OR **FELT** SEALED AVAILABLE

FULL BALL COMPLEMENTS

HEX OR **OVAL** BORE OPTION AVAILABLE

NORMALLY SUPPLIED OIL DIPPED



COMMON SIZES:

SERIES	A	B	C	D	LOAD
D30006	47.6	9.6	12.7	15.9	109 KG
D30007	47.6	11.2	12.7	15.9	109 KG
D30008	47.6	12.8	12.7	15.9	109 KG
D30010	47.6	15.9	12.7	15.9	109 KG
D30012	47.6	19.1	12.7	15.9	109 KG
D30210	47.6	10.1	12.7	15.9	109 KG
D32012	50.8	19.1	12.7	15.9	123 KG
D32016	50.8	25.5	12.7	15.9	123 KG
D35018	35.0	12.8	10.3	11.9	65 KG
D35110	35.0	15.9	10.3	11.9	65 KG
D70112	69.9	19.1	15.9	19.1	254 KG

COMMON SIZES SHOWN. VARIATIONS ARE AVAILABLE.



SPECIALTY BEARINGS

ANTHONY INNOVATIONS

DF BEARINGS

COMMON APPLICATION

RECOMMENDED FOR MEDIUM TO HEAVY DUTY GRAVITY ROLLER CONVEYORS AND INDUSTRIAL WHEELS

FEATURES

ALL STEEL CONSTRUCTION

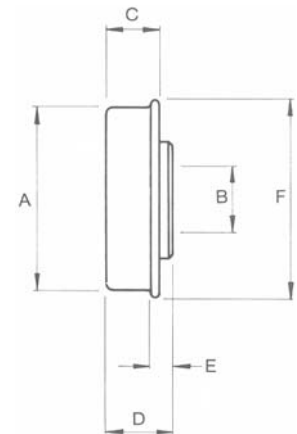
HIGH LOAD CAPACITY - HIGH IMPACT RESISTANT

NITRILE OR FELT SEALED AVAILABLE

FULL BALL COMPLEMENTS

HEX OR OVAL BORE OPTION AVIALABLE

NORMALLY SUPPLIED OIL DIPPED



COMMON SIZES:

SERIES	A	B	C	D	E	F	LOAD
D30006F	47.6	9.6	12.7	15.9	5.6	49.2	109 KG
D30007F	47.6	11.2	12.7	15.9	5.6	49.2	109 KG
D30008F	47.6	12.8	12.7	15.9	5.6	49.2	109 KG
D30010F	47.6	15.9	12.7	15.9	5.6	49.2	109 KG
D30012F	47.6	19.1	12.7	15.9	5.6	49.2	109 KG
D32006F	50.8	9.6	12.7	15.9	5.0	52.3	123 KG
D32008F	50.8	12.8	12.7	15.9	5.0	52.3	123 KG
D32010F	50.8	15.9	12.7	15.9	5.0	52.3	123 KG
D32012F	50.8	19.1	12.7	15.9	5.0	52.3	123 KG
D32014F	50.8	22.3	12.7	15.9	5.0	52.3	123 KG
D32016F	50.8	25.5	12.7	15.9	5.0	52.3	123 KG
D35108F	35.0	12.8	10.3	11.9	3.2	36.8	65 KG
D35110F	35.0	15.9	10.3	11.9	3.2	36.8	65 KG

COMMON SIZES SHOWN. VARIATIONS ARE AVAILABLE.



SPECIALTY BEARINGS

ANTHONY INNOVATIONS

K BEARINGS

COMMON APPLICATION

RECOMMENDED FOR LIGHT TO HEAVY DUTY
GRAVITY ROLLER CONVEYORS AND INDUSTRIAL
WHEELS

FEATURES

ALL STEEL CONSTRUCTION

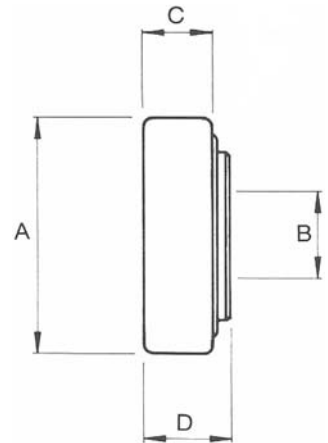
HIGH LOAD CAPACITY - HIGH IMPACT RESISTANT

NITRILE OR FELT SEALED AVAILABLE

FULL BALL COMPLEMENTS

SHIELDED, HEX OR OVAL BORE OPTION AVAILABLE

NORMALLY SUPPLIED OIL DIPPED



COMMON SIZES:

SERIES	A	B	C	D	LOAD
K15004	23.8	6.4	7.6	8.8	28 KG
K15005	23.8	8.0	7.6	8.8	28 KG
K15006	23.8	9.6	7.6	8.8	28 KG
K18004	28.6	6.4	7.8	9.5	38 KG
K18005	28.6	8.0	7.8	9.5	38 KG
K18006	28.6	9.6	7.8	9.5	38 KG
K18007	28.6	11.2	7.8	9.5	38 KG
K18008	28.6	12.8	7.8	9.5	38 KG
K35106	35.0	9.6	10.5	11.9	58 KG
K35107	35.0	11.2	10.5	11.9	58 KG
K35108	35.0	12.8	10.5	11.9	58 KG
K35109	35.0	14.4	10.5	11.9	58 KG

CONTINUED OVER THE PAGE



SPECIALTY BEARINGS

ANTHONY INNOVATIONS

K BEARINGS CONTINUED

COMMON SIZES:

SERIES	A	B	C	D	LOAD
K35110	35.0	15.9	10.5	11.9	58 KG
K43105	43.0	8.0	13.2	18.3	89 KG
K43106	43.0	9.9	13.2	18.3	89 KG
K43108	43.0	13.1	13.2	18.3	89 KG
K4311	43.0	11.5	13.2	18.3	89 KG
K4312	43.0	12.5	13.2	18.3	89 KG
K4314	43.0	14.5	13.2	18.3	89 KG
K4316	43.0	16.5	13.2	18.3	89 KG
K4319	43.0	19.5	13.2	18.3	89 KG
K46106	46.0	9.9	14.7	19.6	89 KG
K46108	46.0	13.1	14.7	19.6	89 KG
K4611	46.0	11.5	14.7	19.6	89 KG
K4616	46.0	16.5	14.7	19.6	89 KG
K4619	46.0	19.5	14.7	19.6	89 KG
K54108	54.0	13.1	14.6	23.8	140 KG
K54116	54.0	25.8	14.6	23.8	140 KG
K5411	54.0	11.5	14.6	23.8	140 KG
K5416	54.0	16.5	14.6	23.8	140 KG
K5419	54.0	19.5	14.6	23.8	140 KG
K70116	69.9	25.8	16.3	25.4	230 KG
K70124	69.9	38.5	16.3	25.4	230 KG
K7016	69.9	16.3	16.3	25.4	230 KG
K7019	69.9	19.5	16.3	25.4	230 KG

COMMON SIZES SHOWN. VARIATIONS ARE AVAILABLE.



SPECIALTY BEARINGS

ANTHONY INNOVATIONS

KF BEARINGS

COMMON APPLICATION

RECOMMENDED FOR LIGHT TO HEAVY DUTY
GRAVITY ROLLER CONVEYORS AND INDUSTRIAL
WHEELS

FEATURES

ALL STEEL CONSTRUCTION

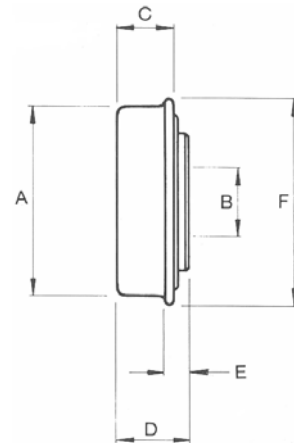
HIGH LOAD CAPACITY - HIGH IMPACT RESISTANT

NITRILE OR FELT SEALED AVAILABLE

FULL BALL COMPLEMENTS

SHIELDED, HEX OR OVAL BORE OPTION AVAILABLE

NORMALLY SUPPLIED OIL DIPPED



COMMON SIZES:

SERIES	A	B	C	D	E	F	LOAD
K18004F	28.6	6.4	7.8	9.5	3.0	30.8	38 KG
K18005F	28.6	8.0	7.8	9.5	3.0	30.8	38 KG
K18006F	28.6	9.6	7.8	9.5	3.0	30.8	38 KG
K18007F	28.6	11.2	7.8	9.5	3.0	30.8	38 KG
K18008F	28.6	12.8	7.8	9.5	3.0	30.8	38 KG
K18018F	28.6	12.7	7.8	9.5	3.0	30.8	38 KG
K18213F	28.6	12.9	7.8	9.5	3.0	30.8	38 KG
K35106F	35.0	9.6	10.5	11.9	3.7	37.0	58 KG
K35107F	35.0	11.0	10.5	11.9	3.7	37.0	58 KG
K35108F	35.0	12.8	10.5	11.9	3.7	37.0	58 KG
K35109F	35.0	14.4	10.5	11.9	3.7	37.0	58 KG
K35110F	35.0	15.9	10.5	11.9	3.7	37.0	58 KG

COMMON SIZES SHOWN. VARIATIONS ARE AVAILABLE.



SPECIALTY BEARINGS

ANTHONY INNOVATIONS

H BEARINGS

COMMON APPLICATION

RECOMMENDED FOR MEDIUM TO HEAVY DUTY
GRAVITY ROLLER CONVEYORS

FEATURES

VARIOUS BORE WIDTHS AVAILABLE
BEARINGS CAN BE FELT SEALED AND SHIELDED
LOAD RATING **55 KG**
COMMON OD SIZES: **41, 43, 47, 54**
VARIATIONS TO BORE AVAILABLE
DESIGNED TO FIT TUBING
NORMALLY SUPPLIED OIL DIPPED



FH BEARINGS

COMMON APPLICATION

RECOMMENDED FOR MEDIUM TO HEAVY DUTY
GRAVITY ROLLER CONVEYORS

FEATURES

VARIOUS BORE WIDTHS AVAILABLE
CAN BE FELT SEALED
LOAD RATING **47 - 100 KG**
COMMON OD SIZES: **35, 45, 47**
VARIATIONS TO BORE AVAILABLE
DESIGNED TO FIT TUBING
NORMALLY SUPPLIED OIL DIPPED



COMMON SIZES SHOWN. VARIATIONS ARE AVAILABLE.



SPECIALTY BEARINGS

ANTHONY INNOVATIONS

J BEARINGS

COMMON APPLICATION

CASTOR AND TROLLEY WHEELS

FEATURES

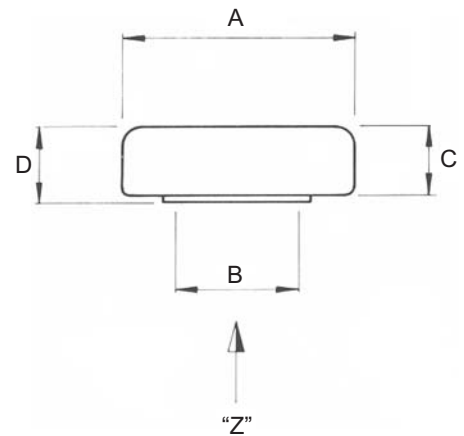
ALL STEEL CONSTRUCTION

HIGH LOAD CAPACITY

FULL BALL COMPLEMENTS

ANGULAR APPLICATION SUITABILITY

NORMALLY SUPPLIED OIL DIPPED



BEARING CARRY THRUST LOAD
IN THE DIRECTION INDICATED
BY ARROW "Z"

COMMON SIZES:

SERIES	A	B	C	D	RADIAL/THRUST LOAD
J27012	42.9	19.1	12.7	13.5	70 KG
J28012	44.5	19.1	12.7	13.5	70 KG
J28014	44.5	22.2	12.7	13.5	70 KG
J34018	54.0	28.6	15.0	15.9	115 KG
J35108	35.0	12.7	10.3	11.1	50 KG
J35112	35.0	19.1	10.3	11.1	50 KG

COMMON SIZES SHOWN. VARIATIONS ARE AVAILABLE.



SPECIALTY BEARINGS

ANTHONY INNOVATIONS

JF BEARINGS

COMMON APPLICATION

CASTOR AND TROLLEY WHEELS

FEATURES

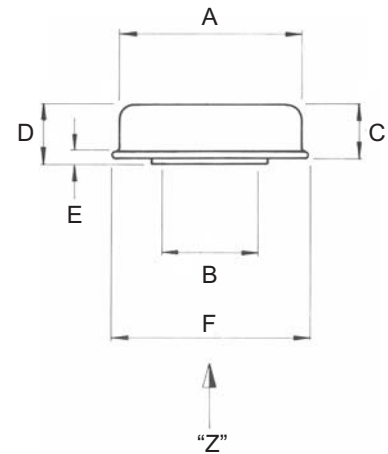
ALL STEEL CONSTRUCTION

HIGH LOAD CAPACITY

FULL BALL COMPLEMENTS

ANGULAR APPLICATION SUITABILITY

NORMALLY SUPPLIED OIL DIPPED



BEARING CARRY THRUST LOAD
IN THE DIRECTION INDICATED
BY ARROW "Z"

COMMON SIZES:

SERIES	A	B	C	D	E	F	RADIAL/THRUST LOAD
J26012F	41.3	18.8	9.8	11.3	4.1	47.0	60 KG
J26220F	41.3	20.0	9.8	11.3	4.1	47.0	60 KG
J35108F	35.0	12.7	10.3	11.1	3.0	36.8	50 KG
J35112F	35.0	19.1	10.3	11.1	3.0	36.8	50 KG

COMMON SIZES SHOWN. VARIATIONS ARE AVAILABLE.



SPECIALTY BEARINGS

ANTHONY INNOVATIONS

JK 14 BEARINGS

COMMON APPLICATION

LIGHT DUTY CASTOR AND TROLLEY WHEELS

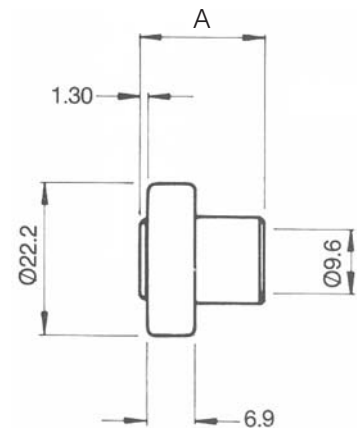
FEATURES

ALL STEEL CONSTRUCTION

FULL BALL COMPLEMENTS

VARIATION TO BORE AVAILABLE

NORMALLY SUPPLIED OIL DIPPED



COMMON SIZES:

PRODUCT	A	LOAD
JK14006	17.5	30 KG
JK14006O	17.9	30 KG

COMMON SIZES SHOWN. VARIATIONS ARE AVAILABLE.



SPECIALTY BEARINGS

ANTHONY INNOVATIONS

JK 18/22/23 BEARINGS

COMMON APPLICATION

MEDIUM DUTY CASTOR AND TROLLEY WHEELS

FEATURES

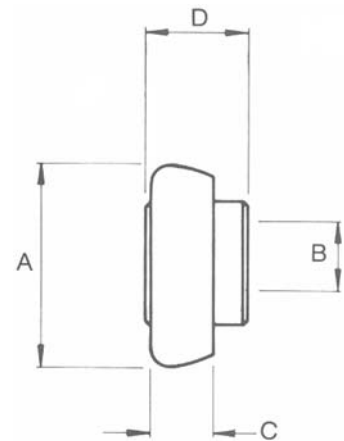
ALL STEEL CONSTRUCTION

FULL BALL COMPLEMENTS

VARIATION TO BORE AVAILABLE

NORMALLY SUPPLIED OIL DIPPED

BEARINGS CAN BE SUPPLIED GREASED



COMMON SIZES:

PRODUCT	A	B	C	D	LOAD
JK18005O	28.6	8.0	8.5	14.3	58 KG
JK18008	28.6	12.8	8.5	11.4	58 KG
JK18008O	28.6	12.8	8.5	22.2	58 KG
JK18210	28.6	10.0	8.5	8.0	58 KG
JK18211O	28.6	10.9	8.5	14.3	58 KG
JK2208	22.0	8.0	7.2	10.9	37 KG
JK2208O	22.0	8.0	7.2	14.1	37 KG
JK2311	23.2	11.2	5.7	8.0	30 KG

COMMON SIZES SHOWN. VARIATIONS ARE AVAILABLE.



SPECIALTY BEARINGS

JK 28 BEARINGS

COMMON APPLICATION

HEAVY DUTY CASTOR AND TROLLEY WHEELS

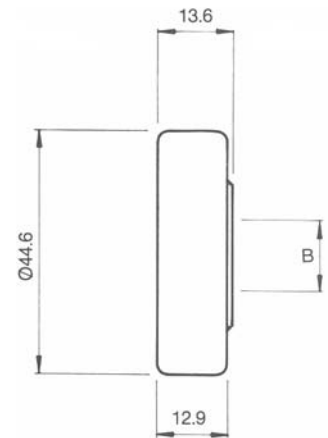
FEATURES

ALL STEEL CONSTRUCTION

FULL BALL COMPLEMENTS

VARIATION TO BORE AVAILABLE

NORMALLY SUPPLIED OIL DIPPED



COMMON SIZES:

SERIES	A	LOAD
JK28008	12.8	115 KG
JK28010	16.0	115 KG
JK28012	19.1	115 KG
JK28014	22.2	115 KG

COMMON SIZES SHOWN. VARIATIONS ARE AVAILABLES

BASIC TYPES SHOWN. VARIATIONS ARE AVAILABLE.



SPECIALTY BEARINGS

ANTHONY INNOVATIONS

JK 28P BEARINGS

COMMON APPLICATION

HEAVY DUTY CASTOR AND TROLLEY WHEELS

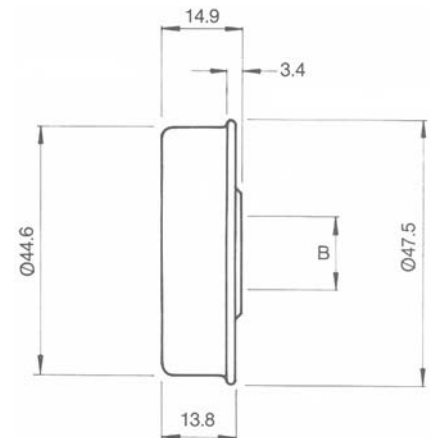
FEATURES

ALL STEEL CONSTRUCTION

FULL BALL COMPLEMENTS

VARIATION TO BORE AVAILABLE

NORMALLY SUPPLIED OIL DIPPED



COMMON SIZES:

SERIES	A	LOAD
JK28008P	12.8	115 KG
JK28010P	16.0	115 KG
JK28012P	19.1	115 KG
JK28220P	20.1	115 KG

COMMON SIZES SHOWN. VARIATIONS ARE AVAILABLE.



SPECIALTY BEARINGS

ANTHONY INNOVATIONS

NK BEARINGS

COMMON APPLICATION

RECOMMENDED FOR MEDIUM TO HEAVY DUTY ROLLER CONVEYORS

FEATURES

SUIT VARIOUS BORED AND NON BORED STEEL OR PLASTIC PIPE/TUBE

VARIOUS OUTSIDE DIAMETERS AVAILABLE

LOAD RANGE **60 - 100 KG**

POLYESTER OUTER HOUSING

VARIATIONS TO BORE AVAILABLE

SUPPLIED OIL DIPPED OR GREASED



G BEARINGS

COMMON APPLICATION

RECOMMENDED FOR LIGHT DUTY ROLLER CONVEYORS AND POWDER COATING LINES

FEATURES

HARDENED STEEL BALL RACE

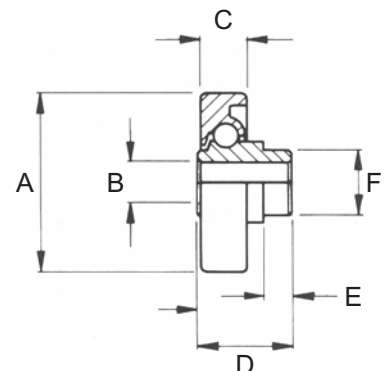
IDEAL FOR HIGH CONTAMINATION AREAS

VARIOUS GREASING OPTIONS AVAILABLE ON REQUEST

FULL BALL COMPLEMENT

COMMON SIZES:

SERIES	A	B	C	D	E	F	LOAD
G22005	34.0	8.0	9.0	18.0	5.7	12.7	55 KG
G26008	41.2	12.8	12.2	21.1	5.1	15.8	80 KG



COMMON SIZES SHOWN. VARIATIONS ARE AVAILABLE.



SPECIALTY BEARINGS

ANTHONY INNOVATIONS

T BEARINGS

COMMON APPLICATION

TURN TABLES

FEATURES

ALL STEEL CONSTRUCTION

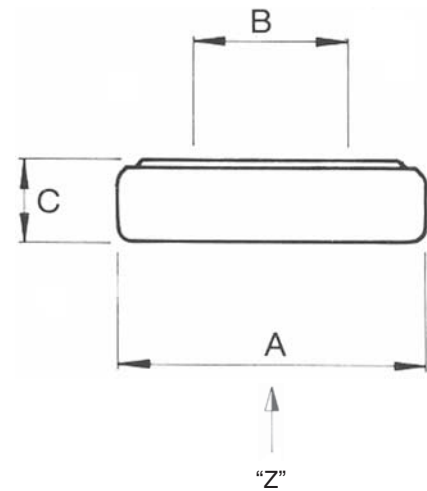
HIGH LOAD CAPACITY

FULL BALL COMPLEMENTS



COMMON SIZES:

SERIES	A	B	C	LOAD
T1308	12.6	8.0	5.0	20 KG
T1508	15.2	8.0	5.9	20 KG
T16008	25.4	12.7	7.9	45 KG
T16208	25.4	8.0	7.9	45 KG
T18010	28.6	15.9	8.3	55 KG
T23013	37.3	20.6	11.9	136 KG
T23014	37.3	22.2	11.9	136 KG
T26016	41.3	25.4	9.5	136 KG
T26216	41.3	15.9	9.5	136 KG
T26219	41.3	19.1	9.5	136 KG
T32016	50.8	25.4	9.5	180 KG
T32020	50.8	31.8	12.7	180 KG
T32022	50.8	34.9	12.7	180 KG
T32219	50.8	19.1	9.5	180 KG
T48008	76.2	12.7	11.1	230 KG
T48008G	76.2	12.7	11.1	230 KG
T56018G	88.9	28.6	15.9	450 KG
T56032G	88.9	50.8	15.9	450 KG
T56219	88.9	19.1	15.9	450 KG
T56219G	88.9	19.1	15.9	450 KG
T80014	127.0	22.2	15.9	680 KG
T80014G	127.0	22.2	15.9	680 KG
T80018G	127.0	28.6	15.9	680 KG
T80219G	127.0	19.1	15.9	680 KG



BEARING CARRY THRUST LOAD
IN THE DIRECTION INDICATED
BY ARROW "Z"

BEARINGS ARE SUPPLIED OIL DIPPED
OR GREASED.

BEARINGS WITH A SUFFIX G
INCORPORATE A GREASE NIPPLE

COMMON SIZES SHOWN. VARIATIONS ARE AVAILABLE.



SPECIALTY BEARINGS

ANTHONY INNOVATIONS

SKATE WHEELS

COMMON APPLICATION

RECOMMENDED FOR LIGHT DUTY GRAVITY
CONVEYORS

FEATURES

VARIOUS BORE WIDTHS AVAILABLE
VARIOUS OD'S AVAILABLE
LOAD RATING **21 - 50 KG**
PLASTIC CONSTRUCTION AVAILABLE



DL BEARINGS

COMMON APPLICATION

SMALL LIGHT DUTY CONVEYOR LINES

FEATURES

VARIOUS WIDTHS AVAILABLE
VARIOUS DIAMETERS AVAILABLE
FULLY ANTI CORROSIVE OPTIONS AVAILABLE
VARIOUS LOAD RATINGS AVAILABLE
VARIOUS CONFIGURATIONS INCLUDING AXLES



SPECIALTY BEARINGS

ANTHONY INNOVATIONS

FLAT PROFILE CAGED BEARINGS

COMMON APPLICATION

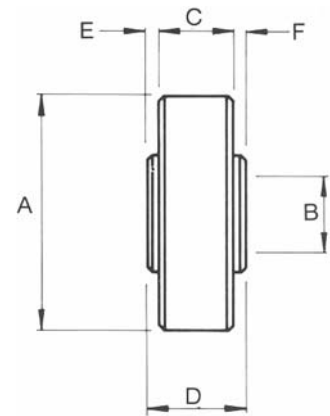
OVER HEAD CONVEYOR LINES AND DRAWS

FEATURES

EXCELLENT SEALING

ALL SEALED CONSTRUCTION

FREE ROLLING (CAGED CONSTRUCTION)



COMMON SIZES:

SERIES	A	B	C	D	E	F	SHIELD	SEAL	LOAD
B14004	22.2	6.5	6.4	9.5	1.6	1.6	*	*	30 KG
B14006	22.2	9.6	6.4	9.6	2.4	0.8	*	*	30 KG
B14208	22.2	8.0	9.5	12.1	2.6	*	*	*	30 KG
B15006	23.8	9.6	6.4	9.5	2.3	0.8	*	*	30 KG
B16004S	25.4	6.5	8.0	9.5	1.5	*	SINGLE	*	30 KG
E22006S	34.8	9.6	9.5	17.5	8.0	*	DOUBLE	*	41 KG
P24010S	38.4	15.9	11.1	11.1	*	*	SINGLE	*	72 KG
P32006A	50.8	9.6	12.7	15.9	1.6	1.6	DOUBLE	*	72 KG
S10004S	15.9	6.5	6.4	7.2	0.4	0.4	DOUBLE	*	18 KG
S11004S	17.9	6.5	6.4	7.2	0.4	0.4	DOUBLE	*	18 KG
S19104	19.0	6.5	6.4	6.4	*	*	*	*	18 KG

NOTE: * INDICATES FEATURE NOT APPLICABLE

COMMON SIZES SHOWN. VARIATIONS ARE AVAILABLE.



SPECIALTY BEARINGS

ANTHONY INNOVATIONS

FLAT PROFILE CAGED BEARINGS

COMMON APPLICATION

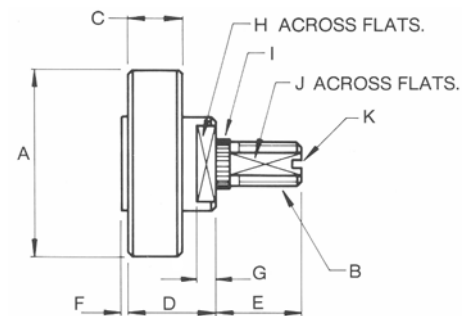
OVER HEAD CONVEYOR LINES AND DRAWS

FEATURES

EXCELLENT SEALING

ALL SEAL CONSTRUCTION

FREE ROLLING (CAGED CONSTRUCTION)



COMMON SIZES:

SERIES	A	B	C	D	E	F	G	H	I	J	K	SHEILD	SEAL	LOAD
B14095	22.2	5/16" B.S.W	9.5	14.0	11.1	*	*	*	8.2	*	*	*	*	30 KG
B14096	22.2	5/16" B.S.W	9.5	12.5	11.1	1.2	*	*	8.2	*	*	*	*	30 KG
B16095	25.4	5/16" B.S.W	9.5	14.0	11.1	1.2	1.5	8.0	*	*	*	*	*	30 KG
B18095	28.6	5/16" B.S.W	9.5	14.0	11.1	1.2	1.5	8.0	*	*	*	*	*	30 KG
B18095S	28.6	5/16" B.S.W	8.0	11.1	16.1	*	*	*	*	*	SLOT	*	SINGLE	30 KG
E22095	34.9	5/16" B.S.W	9.5	12.7	9.5	*	*	*	*	6.8	*	*	SINGLE	41 KG
P25098	39.7	1/2" B.S.W	9.5	23.4	19.0	*	11.1	17.9	*	*	*	SINGLE	*	72 KG
P26098	41.3	1/2" B.S.W	12.7	17.5	22.2	*	*	*	13.3	*	*	SINGLE	SINGLE	72 KG
P29098	46.0	1/2" B.S.W	12.7	17.5	22.2	*	*	*	13.3	*	*	*	SINGLE	72 KG
P32098	50.8	1/2" B.S.W	12.7	17.5	22.2	*	*	*	13.3	*	*	SINGLE	SINLGE	72 KG
S10094S	15.8	1/4" U.N.F	6.4	10.8	8.0	*	3.3	6.4	*	*	*	SINGLE	SINGLE	18 KG

NOTE: * INDICATES FEATURE NOT APPLICABLE

COMMON SIZES SHOWN. VARIATIONS ARE AVAILABLE.



SPECIALTY BEARINGS

ANTHONY INNOVATIONS

BALL TRANSFERS

TB16 BEARINGS

COMMON APPLICATION

MULTI DIRECTIONAL TRANSFER STATIONS

FEATURES

BASE MOUNTED

ALL STEEL CONSTRUCTION

PRECISION GROUND CHROME STEEL BALLS

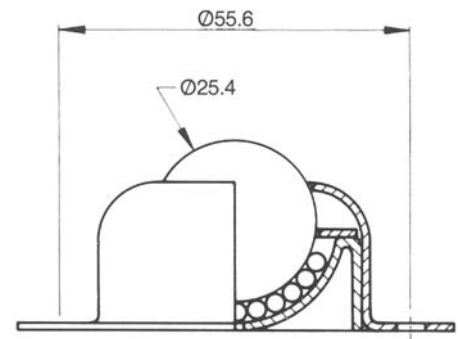
ELLIPTICAL BASE WITH TWO HOLE FIXING POINTS

ZINC PLATED CASE

STAINLESS STEEL BALLS AVAILABLE

AVAILABLE WITH A FELT SEAL (TB16N)

LOAD RATING **50 KG**



TBS16 BEARINGS

COMMON APPLICATION

MULTI DIRECTIONAL TRANSFER STATIONS

FEATURES

FLANGE MOUNTING

HIGH DENSITY ZINC DIECAST HOUSING

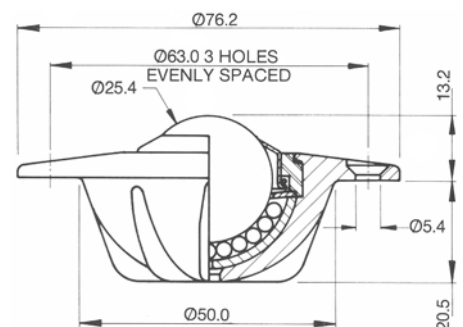
THREE HOLE FIXING POINTS

PRECISION GROUND STAINLESS STEEL BALLS

HARDENED STAINLESS STEEL CUP

SPRING LOADED STAINLESS STEEL SEAL INCORPORATED TO KEEP OUT DIRT AND IS DESIGNED FOR ALL WEATHER CONDITIONS

LOAD RATING **50KG**



COMMON SIZES SHOWN. VARIATIONS ARE AVAILABLE.



SPECIALTY BEARINGS

ANTHONY INNOVATIONS

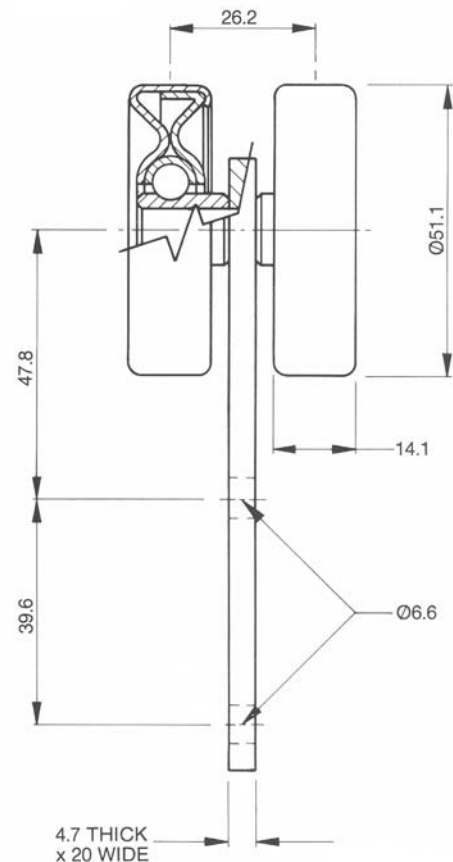
JK 51 BEARINGS

COMMON APPLICATION

OVER HEAD CONVEYOR LINES,
POWDER COATING LINES AND PART
DELIVERY SERVICE

FEATURES

VARIOUS WIDTHS AVAILABLE
VARIOUS OUTSIDE DIAMETERS AVAILABLE
FULLY ANTI CORROSIVE OPTIONS AVAILABLE
ECONOMICAL PRICES
LOAD RATING **100 KG**



COMMON SIZES SHOWN. VARIATIONS ARE AVAILABLE.



SPECIALTY BEARINGS

ANTHONY INNOVATIONS

SJ 44 BEARINGS

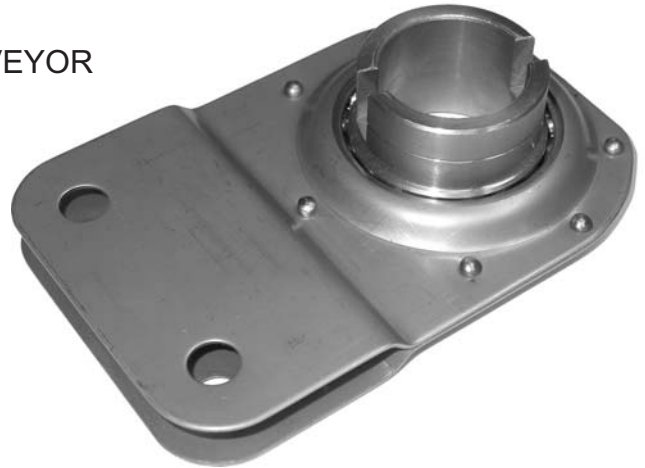
COMMON APPLICATION

HANGER BRACKET FOR OVER HEAD CONVEYOR SYSTEMS

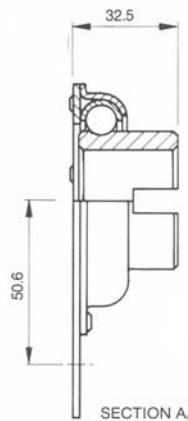
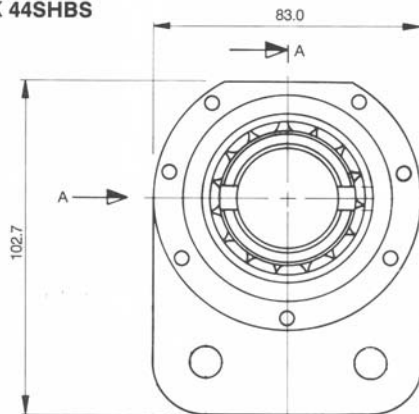
FEATURES

ANTI CORROSIVE

HIGH LOAD CARRYING CAPACITY

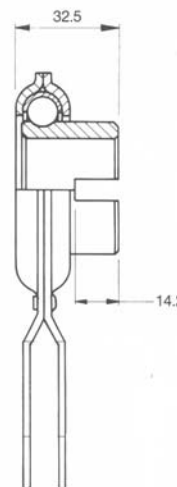
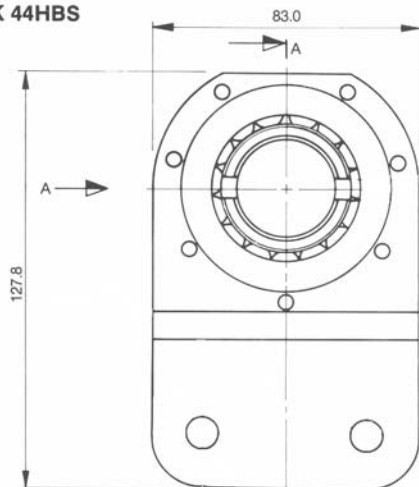


SJK 44SHBS



ALL COMPONENTS ARE STAINLESS STEEL
LOAD 120KG.

SJK 44HBS



ALL COMPONENTS ARE STAINLESS STEEL
LOAD 120KG.

COMMON SIZES SHOWN. VARIATIONS ARE AVAILABLE.



SPECIALTY BEARINGS

ANTHONY INNOVATIONS

TROLLEY FOR FOOD PROCESSING

COMMON APPLICATION

OVER HEAD CONVEYORS IN POULTRY PROCESSING

FEATURES

CORROSION RESISTANT

LOW MAINTENANCE

EASY TO CLEAN

LOAD RATING **34 KG**

LOW NOISE

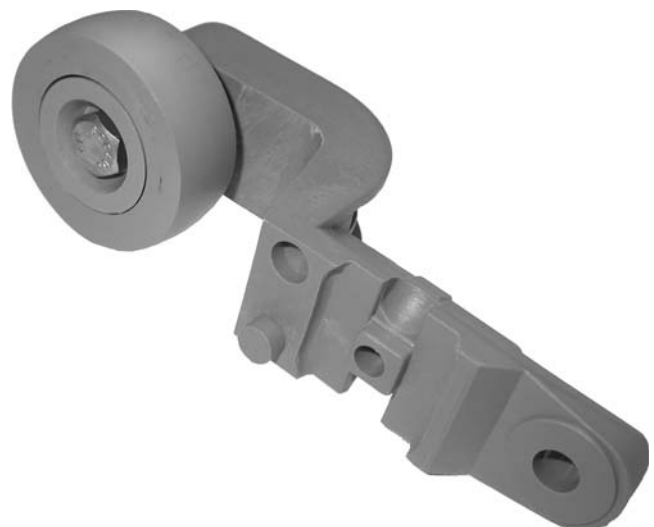
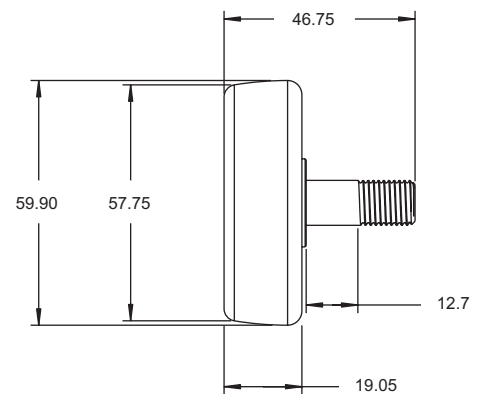
OPERATING TEMPERATURE RANGE 4° C TO 80° C

FULL BALL COMPLEMENT

FREE ROLLING HIGH PERFORMANCE

STAINLESS STEEL BEARING RACE

ALL PLASTIC RESIN WHEELS AVAILABLE



COMMON SIZES SHOWN. VARIATIONS ARE AVAILABLE.



SPECIALTY BEARINGS

ANTHONY INNOVATIONS

CAM FOLLOWER BEARINGS

COMMON APPLICATION

GUIDES, DRAWS, CABINETS & CABLE TROLLEYS

FEATURES

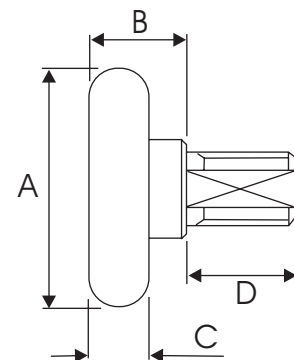
ADVANCED PLASTICS

HIGH LOAD APPLICATIONS

CAGED OR FULL COMPLEMENT BEARING
CONSTRUCTION



ND2901



COMMON SIZES:

PRODUCT	A	B	C	D	LOAD
ND1908	19.6	9.0	6.4	6.6	15 KG
ND1921	19.6	18.0	6.1	9.5	15 KG
ND1925	19.6	18.0	6.1	9.8	15 KG
ND2001	20.2	9.9	6.4	7.0	15 KG
NY2501	25.0	11.5	5.5	9.6	20 KG
ND2901	29.0	14.5	8.5	11.2	35 KG
ND2903	29.0	13.1	8.5	12.7	35 KG
SF3105	31.0	13.1	8.8	15.7	30 KG
NK3102	31.2	16.9	8.0	12.7	35 KG
NB3202	31.2	15.2	8.0	12.7	30 KG
NB3206	31.2	13.2	8.0	14.4	30 KG
NE381	37.5	11.6	7.8	9.6	50 KG

COMMON SIZES SHOWN. VARIATIONS ARE AVAILABLE.



SPECIALTY BEARINGS

ANTHONY INNOVATIONS

ND/SJ 19 BEARINGS

COMMON APPLICATION

PULLEYS AND GUIDES

FEATURES

ADVANCED TYRE PLASTICS

LARGE RANGE

MANY CONSTRUCTION TYPES

VARIOUS FIXING OPTIONS AVAILABLE

VARIOUS MATERIALS AVAILABLE :

- Case Hardened Steel
- Stainless Steel
- Acetal Plastics
- Combination

WHEELS TO SUIT ANY APPLICATION

- Ask our sales staff for materials that best suit your application

COMMON SIZES:

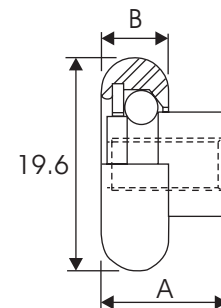
PRODUCT	A	B	LOAD
ND1905	8.8	6.4	15 KG
ND1913	12.0	6.4	15 KG
ND1918	10.7	6.4	15 KG
ND1919	13.2	6.4	15 KG
ND1922	10.6	6.1	15 KG
ND1944	11.4	6.1	15 KG
ND1947	8.1	6.1	15 KG

PRODUCT	A	B	LOAD
SJ1901	9.5	18.9	12 KG
SJ1902	12.0	19.0	12 KG
SJ1903	9.7	19.0	12 KG
SJ1904	11.8	18.9	12 KG
SJ1907	13.7	19.0	12 KG
SJ1909	8.4	19.0	12 KG

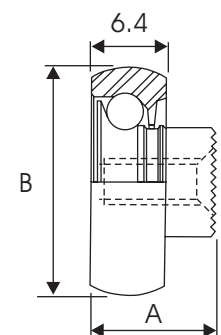
COMMON SIZES SHOWN. VARIATIONS ARE AVAILABLE.



ND SERIES



SJ SERIES



SPECIALTY BEARINGS

ANTHONY INNOVATIONS

PULLEY BEARINGS

COMMON APPLICATION

PULLEYS AND GUIDES

FEATURES

ADVANCED TYRE PLASTICS

LARGE RANGE

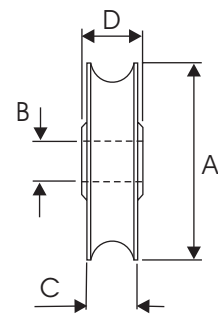
MANY CONSTRUCTION TYPES

VARIOUS MATERIALS AVAILABLE :

- Case Hardened Steel
- Stainless Steel
- Brass
- Nylon and Acetal Plastics
- Combination

WHEELS TO SUIT ANY APPLICATION

- Ask our sales staff for materials that best suit your application



COMMON SIZES:

PRODUCT	A	B	C	D	LOAD
NL1601	16.0	3.2	5.0	6.7	12 KG
NS2504	25.4	6.4	5.6	7.0	15 KG
NS2704	26.9	6.4	5.6	6.4	15 KG
ND3201	31.5	6.4	8.0	9.6	25 KG
ND3604	35.8	6.4	8.0	9.6	35 KG
ND3701	36.8	6.4	8.0	9.6	35 KG
ND3709	36.8	9.5	12.0	9.6	35 KG
NE4302	43.0	6.4	8.7	12.0	35 KG

COMMON SIZES SHOWN. VARIATIONS ARE AVAILABLE.



SPECIALTY BEARINGS

ANTHONY INNOVATIONS

WHEEL BEARINGS

COMMON APPLICATION

OVER HEAD CONVEYORS

FEATURES

ADVANCED PLASTICS

HIGH LOAD APPLICATIONS

FREE ROLLING DESIGN

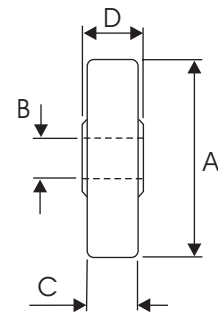
CAGED BEARING OR FULL COMPLEMENT CONSTRUCTION



NE3802

COMMON SIZES:

PRODUCT	A	B	C	D	LOAD
NE3809	37.0	12.8	12.9	14.3	40 KG
NE3802	37.6	6.4	8.3	10.2	40 KG
NE3804	37.6	6.4	8.5	15.9	40 KG

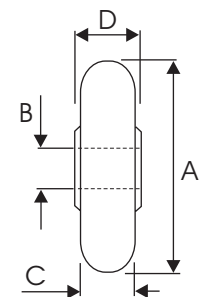


COMMON SIZES SHOWN. VARIATIONS ARE AVAILABLE.



NY2505

PRODUCT	A	B	C	D	LOAD
NY2505	25.0	6.4	5.6	6.2	20 KG
NB3214	31.2	9.6	8.0	9.6	30 KG
NB3218	31.2	6.4	8.0	9.5	30 KG



COMMON SIZES SHOWN. VARIATIONS ARE AVAILABLE.



SPECIALTY BEARINGS

ANTHONY INNOVATIONS

NE/NY BEARINGS

COMMON APPLICATION

OVER HEAD CONVEYORS AND GATES

FEATURES

ADVANCED PLASTICS

HIGH LOAD APPLICATIONS

FREE ROLLING DESIGN

CAGED BEARING CONSTRUCTION

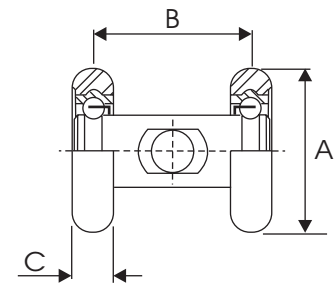
COMMON SIZES:

PRODUCT	A	B	C	LOAD
NE3818	37.5	25.8	8.0	80 KG
NE382	38.1	25.4	7.9	80 KG
NY251	25.1	24.7	5.5	40 KG
NY255	25.1	19.0	5.5	40 KG
NY256	19.4	25.1	5.5	40 KG
NY257	25.1	22.0	5.5	40 KG

COMMON SIZES SHOWN. VARIATIONS ARE AVAILABLE.



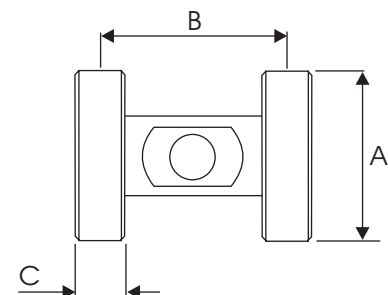
NY251



NE385

PRODUCT	A	B	C	LOAD
NE385	37.8	22.9	8.5	80 KG
NY241	23.8	24.8	6.2	40 KG

COMMON SIZES SHOWN. VARIATIONS ARE AVAILABLE.



SPECIALTY BEARINGS

NA DUAL WHEEL BEARINGS

COMMON APPLICATION

TRUCK CURTAIN SLIDERS

FEATURES

PRECISION BEARING DESIGNS

ADVANCED PLASTICS

HIGH LOAD APPLICATIONS

AVAILABLE WITH BRACKET



NA324



NA353

COMMON SIZES:

PRODUCT	HEIGHT	WIDTH	LOAD
NA324	32.0	24.0	60 KG
NA375	37.0	27.5	80 KG
NL389	37.0	33.0	80 KG
NA353	35.0	28.0	60 KG
NA372	37.0	30.0	60 KG

COMMON SIZES SHOWN. VARIATIONS ARE AVAILABLE.



NL389



SPECIALTY BEARINGS

ANTHONY INNOVATIONS

TECHNICAL DATA

MATERIALS

Turned components are manufactured from mild steel, brass, aluminium and stainless steel bar. Pressed components are manufactured from mild steel, stainless steel and aluminium sheet.

The majority of plastic components are moulded from acetal or nylon resin, although a variety of engineering grade plastics are utilised throughout the range.

Balls used in our products are precision ground and manufactured from chrome steel, carbon steel and stainless steel.

Ball retainers are manufactured from nylon or zinc plated spring steel.

HEAT TREATMENT

All steel components with ball contact are case hardened to a controlled depth and hardness, ensuring high wear resistance and maximum life expectancy.

FINISH

The standard surface finish is bright mild steel. Where corrosion resistance is required, bearings are supplied zinc plated.

LUBRICATION

Proper lubrication will prolong the bearing life expectancy. Bearings are supplied coated with rust inhibiting oil or grease packed where specified. All sealed bearings are grease packed.

DIMENSIONS

All dimensions shown in this catalogue are in millimetres unless otherwise stated. These dimensions are normal sizes only and have been rounded to the nearest 0.1mm.

Where fitting dimensions are of a critical nature please consult our Engineering department.

OPERATING TEMPERATURE

The minimum and maximum operating temperatures for Anthony specialty bearings varies according to bearing design. While the majority of bearings of all steel construction are able to operate between -30° c and +180°c, it is necessary to maintain suitable lubrication to ensure proper bearing function. Any bearings incorporating plastic components can operate at minus 30°c but should not be operated above 80°c. Please contact our Engineering department for specialist advice.



SPECIALTY BEARINGS

ANTHONY INNOVATIONS

TECHNICAL DATA

LOAD RATING

The load ratings listed in the catalogue are based on application where loads and speeds remain constant under perfect operating conditions. In actual practice, this is rarely the case. When selecting a suitable bearing, a safety margin should be allowed. If in doubt please consult our Engineering department.

The working speed of a specialty bearing should not exceed 1000r.p.m (Except in cases where loads are extremely light). The load rating decreases as the speed is increased and the life of the bearing is considerably shortened if it is overloaded or run at excessive speeds. If shock loads are anticipated, then a bearing with a higher load rating should be used.

For angular contact bearings, the thrust load rating is equal to the radial load rating.

For load ratings of Anthony specialty bearings at other speeds, multiply the rating at 200 r.p.m by the following factors.

SPEED	FACTOR	SPEED	FACTOR
50 R.P.M	2.0	400 R.P.M	.8
100 R.P.M	1.3	500 R.P.M	.7
300 R.P.M	.9	600 R.P.M	.6

These speed factors do not apply to bearings incorporating the use of either plastic components with ball contact or a plastic tyre serving as a running surface. These bearings are rated at their maximum capacity and should not be operated above 350 r.p.m.

MINIMUM ORDER QUANTITY

Minimum order quantities may apply where an item is not available ex-stock or a variation of a standard product is required. Where non standard bearings are ordered it should be understood the purchaser accepts the overrun or underrun to a maximum of 5%.

PRECAUTION

During storage, bearings should be kept clean and in sealed containers.

Never transmit pressure through the balls when fitting the bearing.

WARRANTY

Anthony Innovations Pty. Ltd. will replace, free of charge, within one year from date of sale, any bearing which in our judgement has failed because of defective materials or workmanship, provided it has been shown to have been properly mounted, adequately lubricated and not subjected to overload or abuse during assembling or in operation. Anthony Innovations Pty. Ltd. assumes no responsibility for contingent or consequential damage in any event. This guarantee is en lieu of all warranties either expressed or implied.





ANTHONY INNOVATIONS

Copyright © 2006 ANTHONY INNOVATIONS

ANTHONY INNOVATIONS

HEAD OFFICE
68 KEON PARADE
THOMASTOWN 3074
MELBOURNE, AUSTRALIA

T: 1800 664 696
F: 1300 795 022
sales@anthonyinnovations.com.au
www.anthonyinnovations.com.au

ANTHONY GROUP (NZ) LTD

42 PARKWAY DRIVE
MAIRANGI BAY
AUCKLAND, NEW ZEALAND

T: (64) 9478 6150
F: (64) 9479 6394
sales@anthonygroup.co.nz