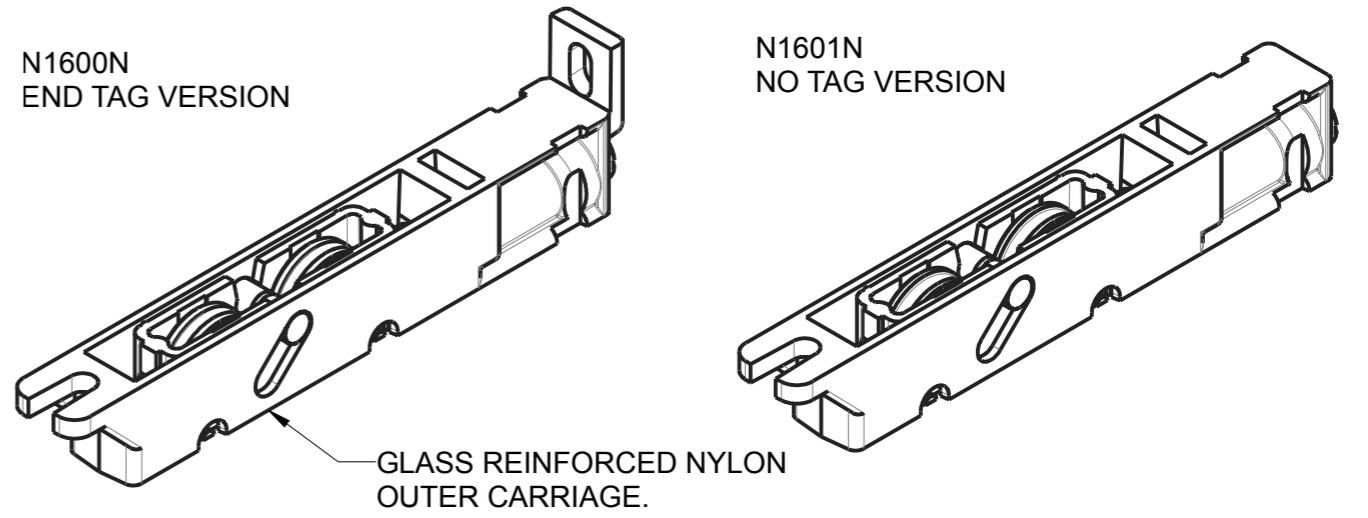
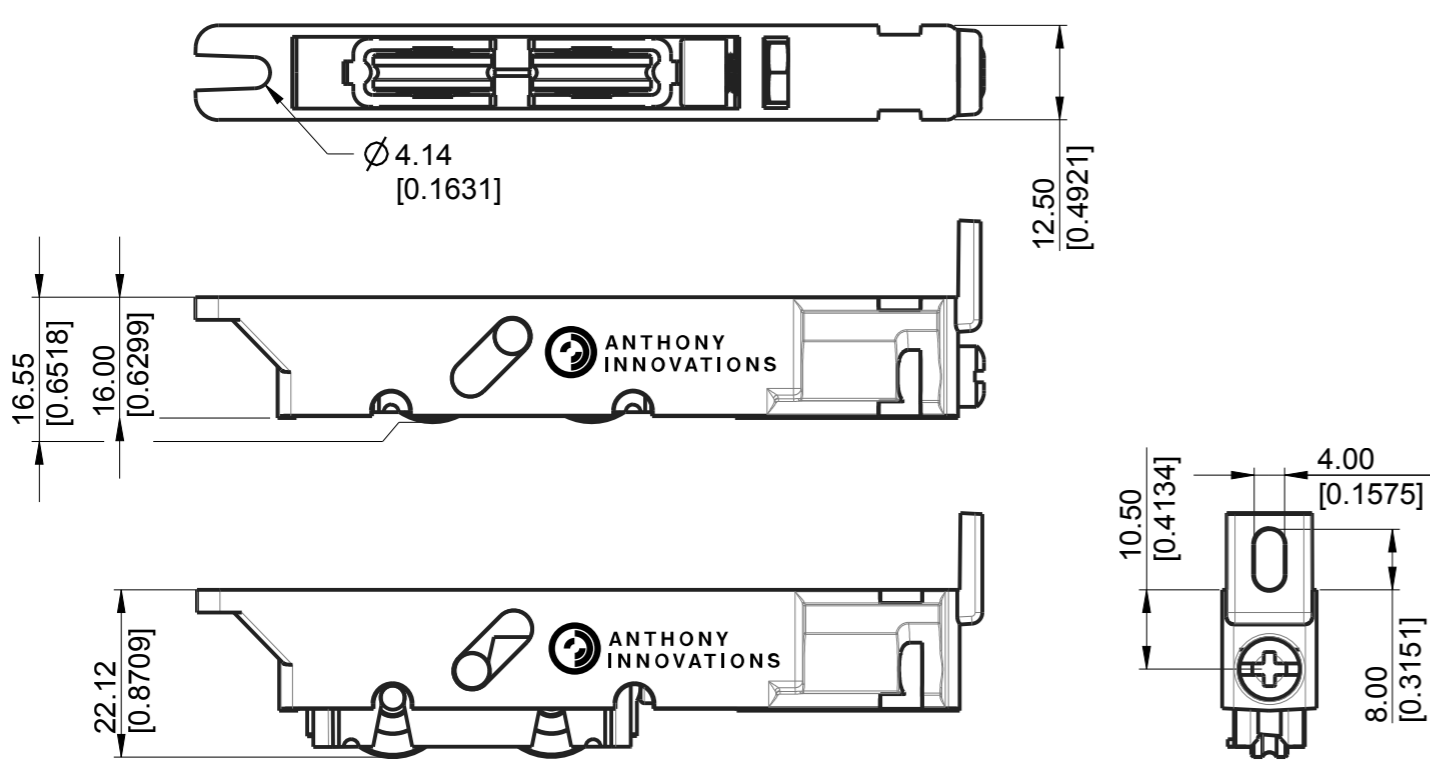


A

A



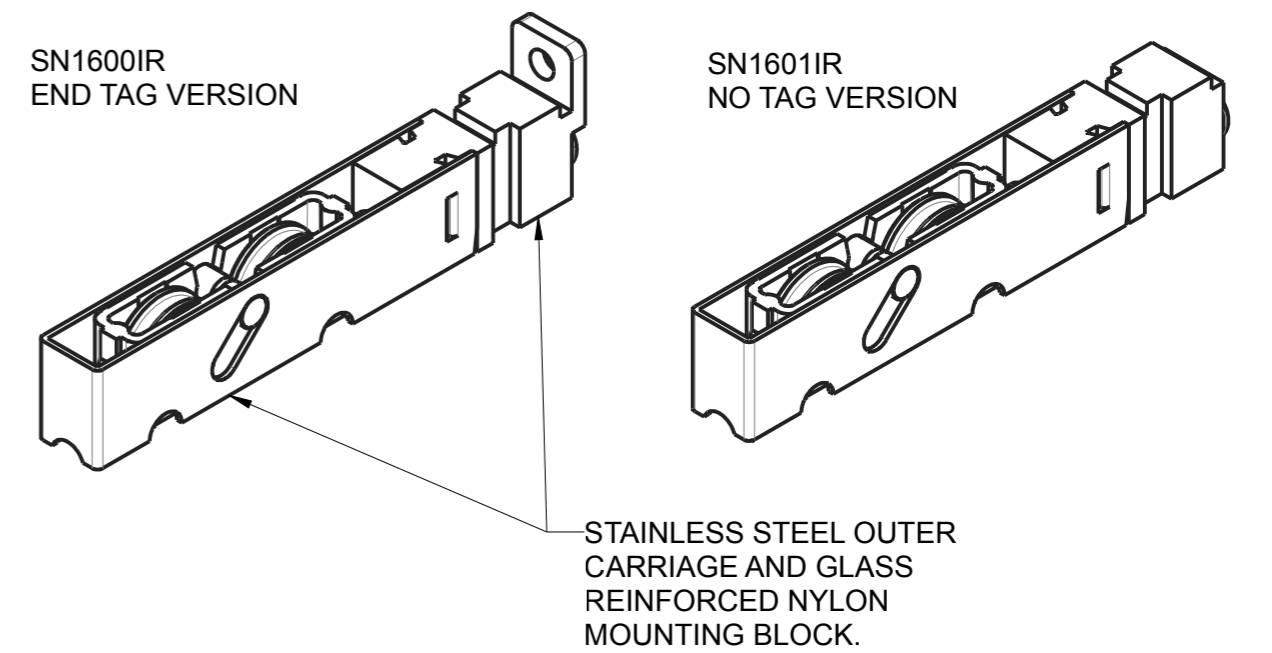
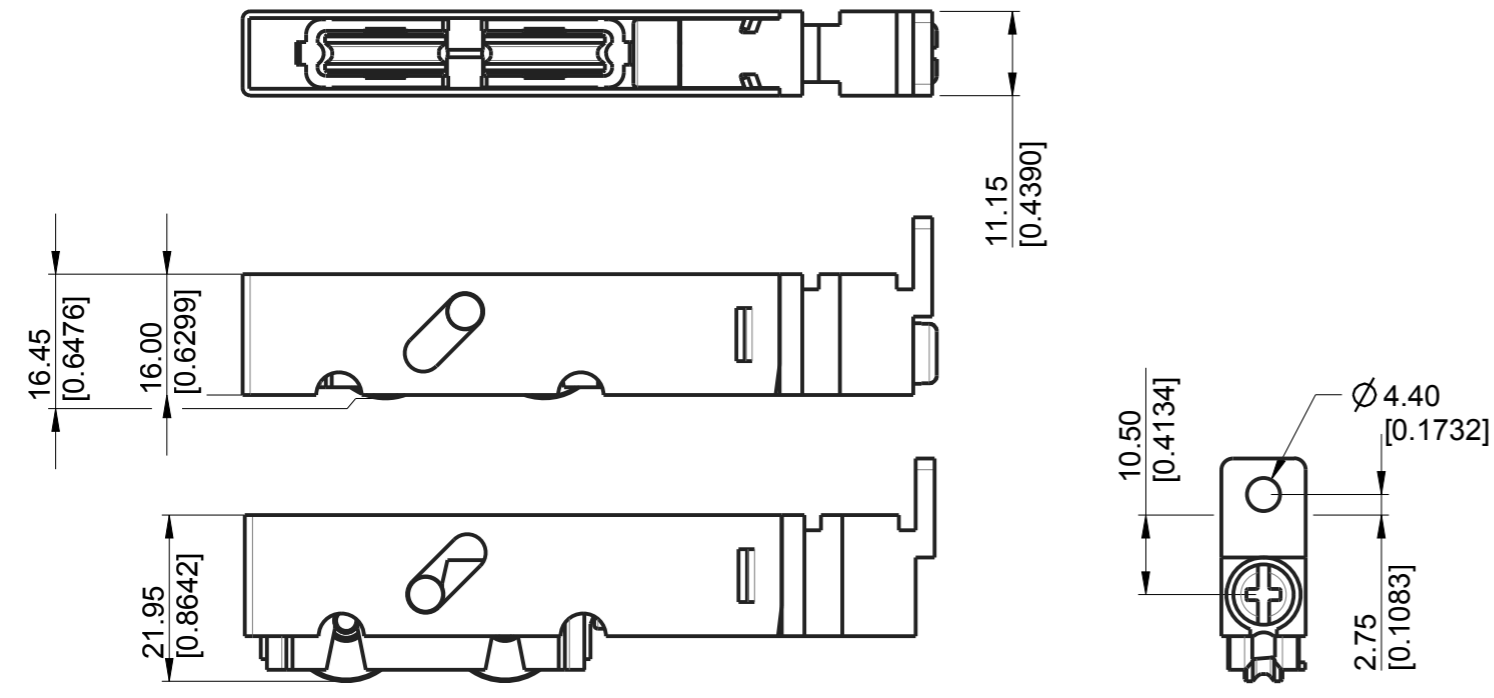
PART NUMBER	END MOUNT	WHEEL	LOAD RATING
N1600N	TAG	WHEEL AND PIN	18 kg
N1601N	NO TAG	WHEEL AND PIN	18 kg
SN1600IR	TAG	SEMI PRECISION BEARING	22 kg
SN1601IR	NO TAG	SEMI PRECISION BEARING	22 kg

B

B

C

C



LOAD RATING: 22kg

D

D

1600 Series
Dimensions displayed as: "millimetres [inches]"

This document is property fo Anthony Innovations PTY. LTD.

