



# **ANTHONY BEARINGS**

*Winning Partnerships*

**ANNIVERSARY EDITION  
1951-2001**

[www.abearings.com.au](http://www.abearings.com.au)

**BUILDING PRODUCT CATALOGUE**

**WELCOME**

Anthony Bearings are proud to publish this product catalogue - the perfect guide for any manufacturer, distributor or DIY handyman. This catalogue provides you with over 250 products and aims to keep you in touch with current and new designs.

**SETTING THE PRECEDENT**

Right from the start, Anthony Bearings intentions were clear, success through innovation. The company's early vision was to manufacture unground bearings from pressed and steel components. This expanded later on as the company embraced new plastics technology and began moulding components. Through the years this earned Anthony Bearings applause and recognition for advances in bearing technology.

**NEVER LOSING SIGHT**

Throughout this history, and entrenched in Anthony Bearings today, is a true sense of loyalty to the original plan to design, market and manufacture quality through excellence. Much of the company's success comes from its ability to never lose sight of this aim.

As we grow we recognise the need for continuous improvement and change. More than ever we are committed to satisfying the needs of both Australian and overseas customers while expanding locally and developing new export markets.

Anthony Bearings looks forward to steadily improving on our present position of strength and worldwide reputation.

**MANUFACTURING PRIDE**

At Anthony Bearings, we are challenged by problems and are in the business of providing solutions.

As well as specific high quality high volume applications we are leading the low volume highly specialised replacement market with our innovative design approach.

The design service has been created to custom manufacture products to suit specific applications and requirements.

Anthony Bearings are an extremely flexible and pro active company. We believe that through excellence of service, quality, flexibility, as well as innovation in design, we can maintain and grow our business into the future.

We look forward with confidence and a great deal of anticipation to the future.

**AVAILABILITY**

Our large range of manufactured products are often specific to customer requirements and as a result are not all stocked items. In order to assist you we have given all products an availability rating.

- \* POOR
- \*\* FAIR
- \*\*\* GOOD
- \*\*\*\* VERY GOOD
- \*\*\*\*\* EXCELLENT

This rating system will be a guide as to the probability of the product being available.

For pricing or any other information please do not hesitate to contact our trained sales personnel who are willing and able to assist.

T A B L E O F

# *contents*

	<b>PAGE</b>
TECHNICAL INFORMATION	4
SHOWER SCREEN AND LIGHT DUTY ROBES	6
SLIDING DOORS	10
DOORS AND SLIDING ROBES	12
SLIDING ROBES	15
SLIDING WINDOWS	17
SLIDING WINDOWS AND INSECT SCREENS	21
INSECT AND SECURITY SLIDING DOORS	23
PLASTIC TYRE	24
CONCERTINA DOORS	27

**Materials:**

Turned components are manufactured from mild steel, brass, aluminium and stainless steel bar. Pressed components are manufactured from mild steel, stainless steel and aluminium sheet. The majority of plastic components are moulded from acetal resin, although a variety of engineering grade plastics are incorporated throughout the range. Balls used in our products are precision ground and manufactured from chrome steel, carbon steel and stainless steel. Ball retainers are manufactured from nylon or zinc plated spring steel.

**Heat Treatment:**

All steel components with ball contact are case hardened to a controlled depth and hardness ensuring high wear resistance and maximum life expectancy.

**Finish:**

The standard surface finish is that of bright mild steel. Where corrosion resistance is required, bearings are supplied zinc plated.

**Lubrication:**

Bearings are supplied coated with rust inhibiting oil or grease packed where specified. All sealed bearings are grease packed. Proper lubrication will prolong the bearing life expectancy.

**Dimensions:**

All dimensions shown in this catalogue are in millimetres unless otherwise stated. These dimensions are basic sizes only and have been rounded to the nearest 0.1mm. Where fitting dimensions are of a critical nature, please consult our Sales Department.

**Operating Temperature:**

The minimum and maximum operating temperatures for Anthony Unground Bearings varies according to bearing design. While the majority of bearings of all steel construction are able to operate between minus 30°C and 180°C, it is necessary to maintain suitable lubrication to ensure proper bearing function. Any bearings incorporating plastic components can operate down to minus 30°C but should not be operated above 80°C. Please contact our Sales Department if in doubt.

**Load Rating:**

The load ratings listed in the catalogue are based on applications where loads and speeds remain constant under perfect operating conditions. In actual practice, this is rarely the case, so that when selecting a suitable bearing, a safety margin should be allowed. If in doubt about the selection of a bearing, we suggest you consult our Sales Department. Except in cases where loads are extremely light, the working speed of an unground bearing should not exceed 1,000 r.p.m. The load rating decreases as the speed is increased, and the life of the bearing is considerably shortened if it is overloaded or run at excessive speeds. If shock loads are anticipated, a bearing with a higher load rating should be used.

In angular contact bearings, the thrust load rating is equal to the radial load rating. For load ratings of Anthony Unground Bearings at other speeds, multiply the rating at 200 r.p.m by the following factors.

Speed	Factor	Speed	Factor
50 r.p.m	2.0	400 r.p.m	0.8
100 r.p.m	1.3	500 r.p.m	0.7
300 r.p.m	0.9	600 r.p.m	0.6

These speed factors do not apply to bearings incorporating the use of either plastic components with ball contact or a plastic tyre serving as a running surface. These bearings are rated at their maximum capacity and should not be operated above 350 r.p.m.

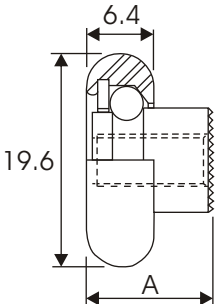
**Minimum Order Quantity:**

Minimum order quantities may apply where an item is not available ex-stock or a variation of a standard product is required. Some products illustrated within this catalogue apply to minimum order quantities. Where non standard bearings are ordered, it should be understood that the purchaser accepts the overrun or underrun to a maximum of 5%.

**Precaution:**

During storage, bearings should be kept clean and in sealed containers. When fitting the bearing, always press the inner race onto the shaft and the outer race into the housing. **Never** transmit pressure through the balls when fitting the bearing.

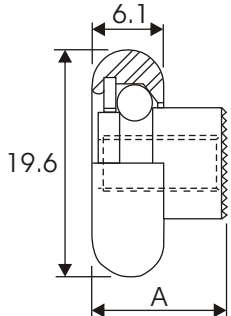
Product	Page	Product	Page	Product	Page	Product	Page
A3210ND	24	N2472N	20	ND1925	7	S324BD	24
A3211ND	24	N2473N	20	ND1944	6	S324ND	24
A323ND	24	N2474N	20	ND1947	6	S327ND	24
A324ND	24	N2475N	20	ND2001	7	S328ND	24
A325ND	24	N2476SJ	20	ND2302	8	S329ND	24
A327ND	24	N247N	20	ND2801	23	S32ND	24
A328ND	24	N2491N	20	ND2901	22	S358NA	24
A329ND	24	N249N	20	ND2903	22	S35BD	10
A32ND	24	N24SGA	18	ND3200	21	S4301NA	26
KF3200	20	N253NS	19	ND3201	21	SF3105	22
N1203N	14	N256NS	19	ND3604	21	SF3208	21
N1205N	14	N25SGL	19	ND3606	21	SJ1901	8
N1303N	14	N301SND	13	ND3607	21	SJ1902	7
N1304N	15	N314NF	13	ND3701	21	SJ1903	7
N1308N	15	N315NF	13	ND3709	21	SJ1904	8
N1311N	14	N316NF	13	NE3802	23	SJ1907	7
N1312N	14	N3200	20	NE3804	23	SJ1909	7
N1314N	14	N3204SF	13	NE3809	23	SJ2101	9
N1318N	15	N3209SF	13	NE381	22	SJ2401	9
N1401N	14	N3211ND	12	NE3810	22	SJ2403	9
N1402N	15	N324SF	13	NE3818	27	SJ2404	9
N1403N	15	N326ND	12	NE382	27	SJ2409	9
N1405N	15	N361SF	12	NE385	27	SS254NS	10
N1408NL	14	N362SF	12	NE4302	21	SS25SGA	10
N1408SGL	14	N364ND	25	NJ192	6	SS32ND	10
N1409N	15	N4000NR	26	NJ195	8	SS35NA	10
N1501N	14	N4001NR	26	NJ196	7	SS35SGA	10
N1502N	15	N4002NR	25	NJ197	7		
N1503N	15	N4005NR	26	NJ198	7		
N1602N	16	N4006NR	25	NJ199	7		
N1602NL	15	N4007NR	26	NK3102	22		
N1603N	15	N4008NR	25	NL1601	21		
N1603SGL	18	N45NA	25	NL1602	21		
N1607	18	N5000SF	11	NP4101	22		
N1608N	16	N5001SF	11	NS2504	21		
N1609N	16	N5002SF	11	NS2505	21		
N1611N	16	N5003SF	11	NS2553	21		
N1616NL	16	N5004SF	11	NS2703	21		
N1621N	16	N5005SF	11	NS2704	21		
N1622N	16	N5006SF	11	NS2705	21		
N1623N	18	N5007SF	11	NS2709	21		
N1630NL	14	N6000ND	11	NY241	27		
N2401NL	18	N6001ND	11	NY2501	22		
N2403SGL	18	N800C	17	NY2505	22		
N2403SJ	19	NB3202	22	NY251	27		
N2404SJ	18	NB3206	22	NY255	27		
N242N	20	NB3214	22	NY256	27		
N243SJ	20	NB3218	22	NY257	27		
N244SJ	20	ND1905	6	S20NDS	10		
N2466N	20	ND1906	8	S3213NA	24		
N2466SJ	20	ND1908	7	S3213ND	24		
N2467N	20	ND1913	6	S3218BD	24		
N2467SJ	20	ND1918	6	S321ND	24		
N2469N	20	ND1919	6	S3225NA	24		
N246N	20	ND1921	7	S3225ND	24		
N2470N	20	ND1922	6	S3227ND	24		



**PLASTIC OUTER  
STEEL INNER**

**MAXIMUM LOAD 15KG**

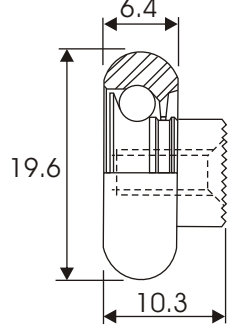
PRODUCT	DIMENSION A	AVAILABILITY	PRODUCT USE
ND1905	8.8	****	
ND1913	12.0	*	BORAL
ND1918	10.7	*****	REGENCY , OLYMPIC
ND1919	13.2	**	ULLRICH



**PLASTIC OUTER  
STEEL INNER**

**MAXIMUM LOAD 15KG**

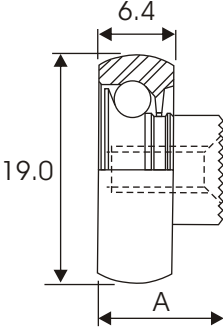
PRODUCT	DIMENSION A	AVAILABILITY	PRODUCT USE
ND1922	10.6	*	
ND1944	11.4	***	BORAL
ND1947	8.1	*	BORAL



**PLASTIC OUTER  
STEEL INNER**

**MAXIMUM LOAD 12KG**

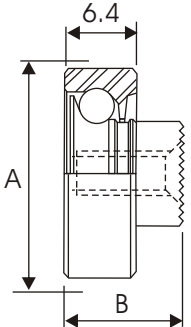
PRODUCT	DIMENSION A	AVAILABILITY	PRODUCT USE
NJ192	10.3	****	TRACER



**PLASTIC OUTER  
PLASTIC INNER**

**MAXIMUM LOAD 12KG**

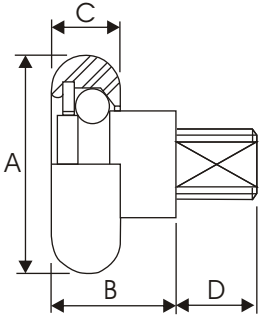
PRODUCT	DIMENSION A	AVAILABILITY	PRODUCT USE
SJ1902	12.0	****	ULLRICH, BORAL
SJ1903	9.7	**	
SJ1907	13.7	*	ULLRICH
SJ1909	8.4	**	STEGBAR



**PLASTIC OUTER  
STEEL INNER**

**MAXIMUM LOAD 12KG**

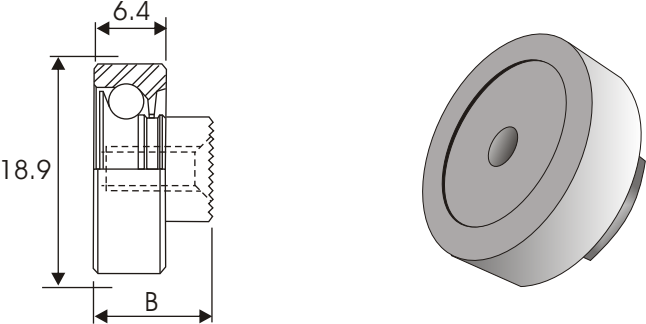
PRODUCT	DIMENSION A	B	AVAILABILITY	PRODUCT USE
NJ196	18.4	9.2	*****	BORAL, STEGBAR
NJ197	19.1	10.5	****	BORAL
NJ198	18.4	11.1	*	BORAL
NJ199	18.4	9.2	*****	DIAS



**PLASTIC OUTER  
STEEL INNER**

**MAXIMUM LOAD 15KG**

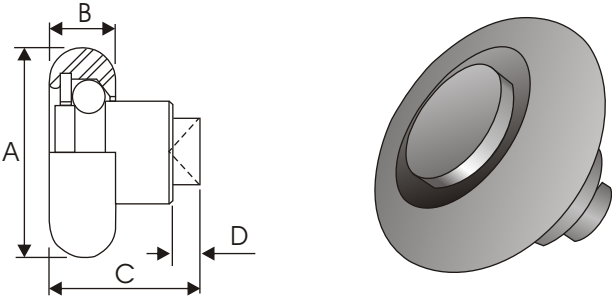
PRODUCT	DIMENSION A	B	C	D	AVAILABILITY	PRODUCT USE
ND1908	19.6	9.0	6.4	6.6	*****	BORAL, STEGBAR
ND1921	19.6	18.0	6.1	9.5	****	BORAL
ND1925	19.6	18.0	6.1	9.8	*	BORAL
ND2001	20.2	9.9	6.4	7.0	****	TRAK



**PLASTIC OUTER  
PLASTIC INNER**

**MAXIMUM LOAD 12KG**

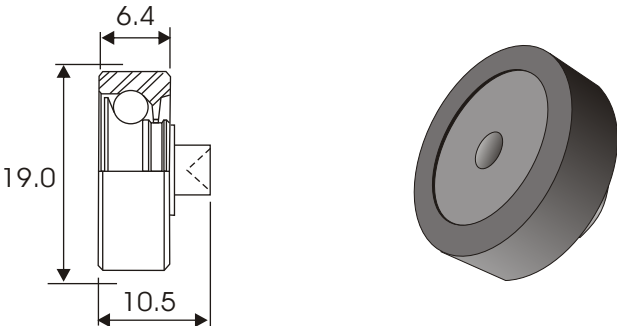
PRODUCT	DIMENSION A	AVAILABILITY	PRODUCT USE
SJ1901	9.5	***	TRAK
SJ1904	11.8	*	APOLLO



**PLASTIC OUTER  
STEEL INNER**

**MAXIMUM LOAD 15KG**

PRODUCT	DIMENSION				AVAILABILITY	PRODUCT USE
	A	B	C	D		
ND1906	19.6	6.1	14.7	2.4	****	TECHMETAL
ND2302	23.3	7.4	15.6	4.7	****	PC HENDERSON

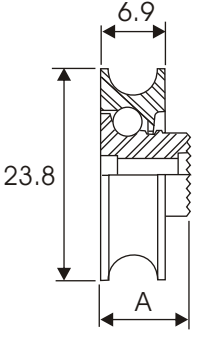


**PLASTIC OUTER  
STEEL INNER**

**MAXIMUM LOAD 12KG**

PRODUCT	DIMENSION	AVAILABILITY	PRODUCT USE
NJ195		***	JANDS

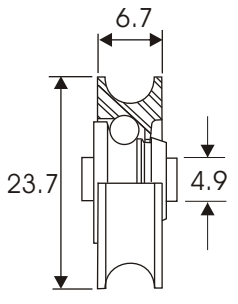




**PLASTIC OUTER  
PLASTIC INNER**

**MAXIMUM LOAD 12KG**

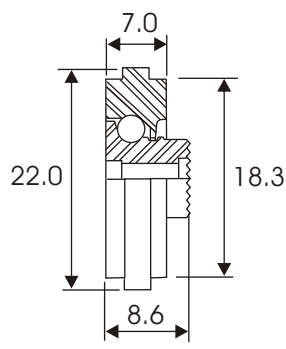
PRODUCT	DIMENSION A	AVAILABILITY	PRODUCT USE
SJ2401	9.5	**	
SJ2409	8.6	*	



**PLASTIC OUTER  
PLASTIC INNER**

**MAXIMUM LOAD 12KG**

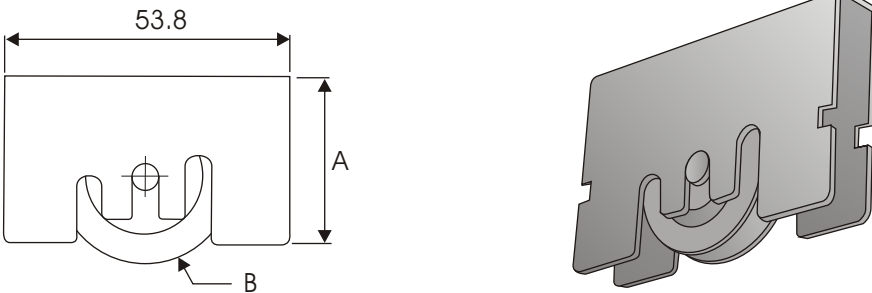
PRODUCT	DIMENSION	AVAILABILITY	PRODUCT USE
SJ2403		*	CLEARVIEW
SJ2404		*****	BORAL



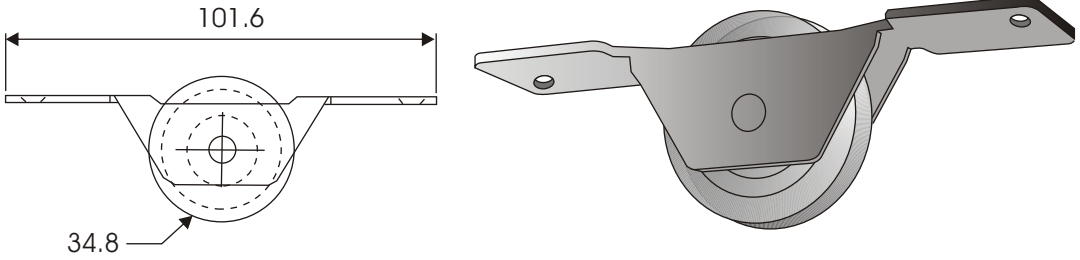
**PLASTIC OUTER  
PLASTIC INNER**

**MAXIMUM LOAD 12KG**

PRODUCT	DIMENSION	AVAILABILITY	PRODUCT USE
SJ2101		*	

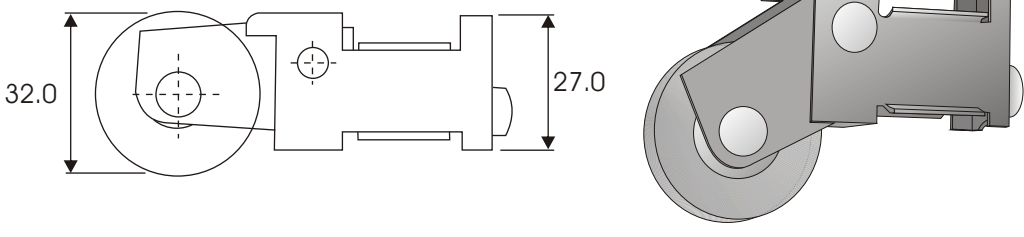


PRODUCT	DIMENSION		AVAILABILITY	PRODUCT USE	LOAD
	A	B			
SS254NS	34.8	25.4	***		15 Kg
SS25SGA	34.8	25.4	**		100 Kg
SS32ND	33.7	32.0	**		30 Kg
SS35NA	33.0	34.9	***	WINDUS	60 Kg
SS35SGA	33.0	34.9	***	G JAMES	130 Kg



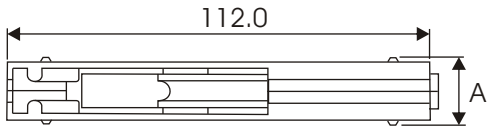
**MAXIMUM LOAD 100KG**

PRODUCT	DIMENSION	AVAILABILITY	PRODUCT USE
S35BD		*****	



**MAXIMUM LOAD 25KG**

PRODUCT	DIMENSION	AVAILABILITY	PRODUCT USE
S20NDS		****	TRACER

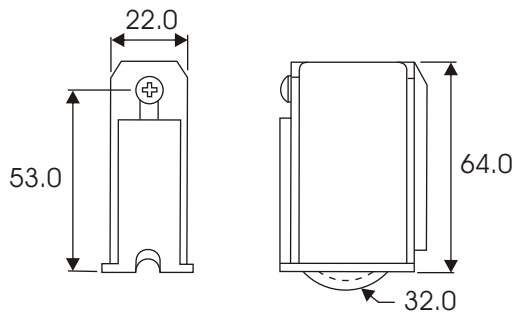


PRODUCT	DIMENSION	AVAILABILITY	PRODUCT USE
---------	-----------	--------------	-------------

N5000SF	15.0	****	
N5001SF	17.5	****	
N5002SF	21.0	**	
N5003SF	24.8	**	
N5004SF	27.0	*	
N5005SF	21.2	**	
N5006SF	19.4	*	
N5007SF	16.5	***	

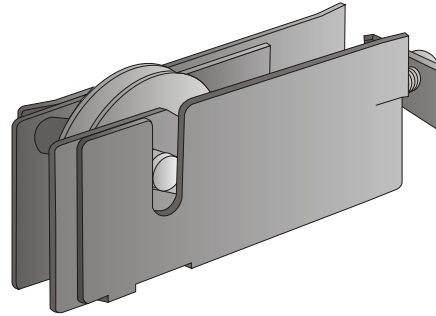
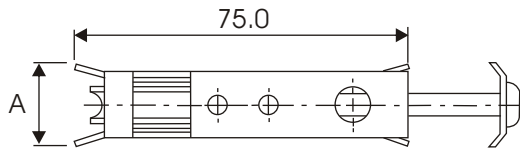
Available with the following Bearing

	OUTER	INNER	BALLS	LOAD
SF	ACETAL	ACETAL	S/S	25Kg
ND	ACETAL	PLATED STEEL	STEEL	25Kg
SND	ACETAL	PLATED STEEL	S/S	25Kg
SGD	S/S	PLATED STEEL	S/S	50Kg



PRODUCT	DIMENSION	AVAILABILITY	PRODUCT USE	LOAD
---------	-----------	--------------	-------------	------

N6000ND		**	BRADNAMS	25KG
N6000SGD		RESTRICTED	BRADNAMS	50KG



PRODUCT	DIMENSION A	AVAILABILITY	PRODUCT USE	LOAD
<i>ALUMINIUM CARRIAGE</i>				
A3210ND	16.1	*		25KG
A3211ND	22.1	*		25KG
A323ND	18.3	*****	JAMES HARDIE	25KG
A324ND	15.0	*		25KG
A325ND	16.0	***	BORAL	25KG
A327ND		***	CAPRAL	25KG
A328ND	15.0	****	BORAL	25KG
A329ND	18.8	**		25KG
A32ND	17.0	**	BORAL	25KG
<i>STEEL CARRIAGE</i>				
S3213ND	14.9	**		
S321ND	15.4	**	ULLRICH	25KG
S3225ND	18.0	****		25KG
S3227ND	17.3	*		25KG
S324ND	15.0	*****	STEGBAR	25KG
S327ND	21.0	*	SOUTH PACIFIC	25KG
S328ND	15.0	***	BORAL	25KG
S329ND	18.8	***		25KG
S32ND	17.3	**		25KG
<i>STEEL CARRIAGE WITH BRASS WHEEL</i>				
S3218BD	23.7	**		35KG
S324BD	14.8	****	STEGBAR	35KG
<i>STEEL CARRIAGE WITH PRECISION BEARING</i>				
S3213NA	15.0	****		30KG
S3225NA	18.1	**		30KG
S358NA	15.0	**	G JAMES	30KG

**MAXIMUM LOAD 35KG**

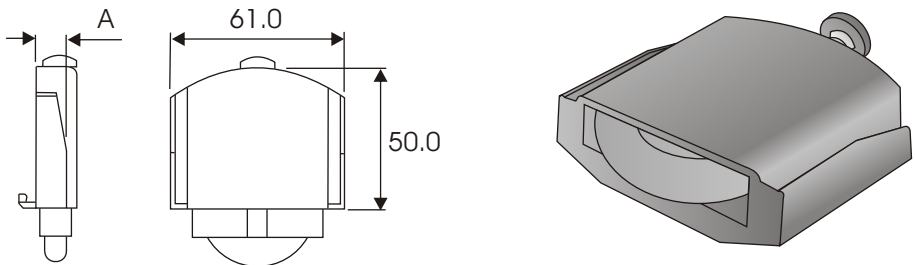
PRODUCT	DIMENSION	AVAILABILITY	PRODUCT USE
N364ND		***	

**MAXIMUM LOAD 60KG**

PRODUCT	DIMENSION	AVAILABILITY	PRODUCT USE
N45NA		*****	DOWELL

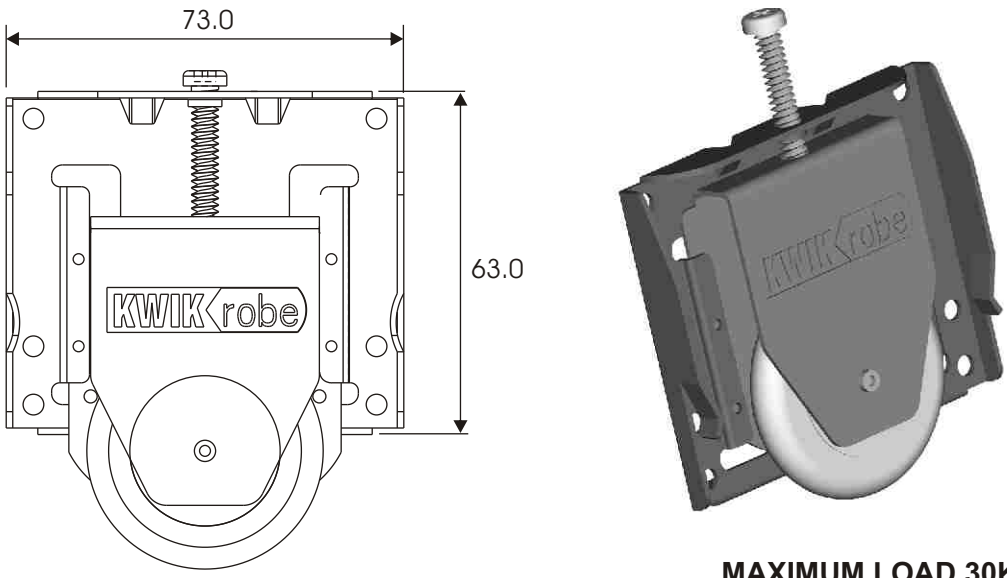
**MAXIMUM LOAD 25KG**

PRODUCT	DIMENSION A	AVAILABILITY	PRODUCT USE
N4002NR	11.0	****	BORAL
N4006NR	11.0	****	
N4008NR	7.0	**	OLYMPIC



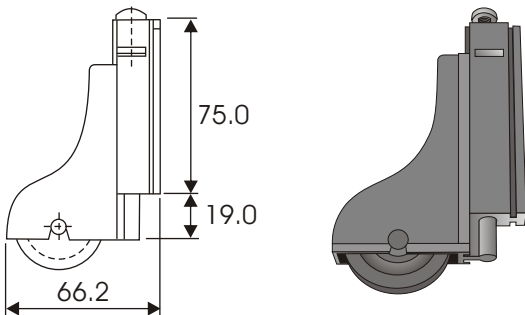
**MAXIMUM LOAD 25KG**

PRODUCT	DIMENSION A	AVAILABILITY	PRODUCT USE
N4000NR	11.0	***	BORAL
N4001NR	9.5	**	ABRACADABBRA
N4005NR	11.0	***	
N4007NR	7.1	**	OLYMPIC

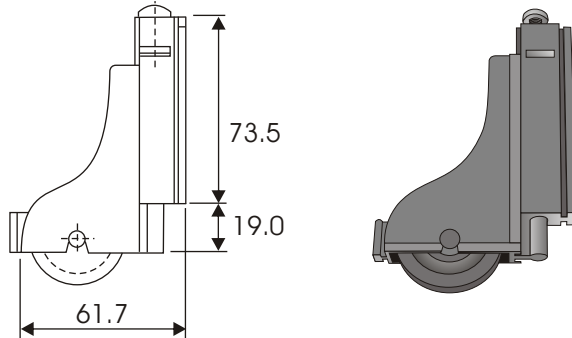


**MAXIMUM LOAD 30KG**

PRODUCT	DIMENSION	AVAILABILITY	PRODUCT USE
S4301NA		*****	

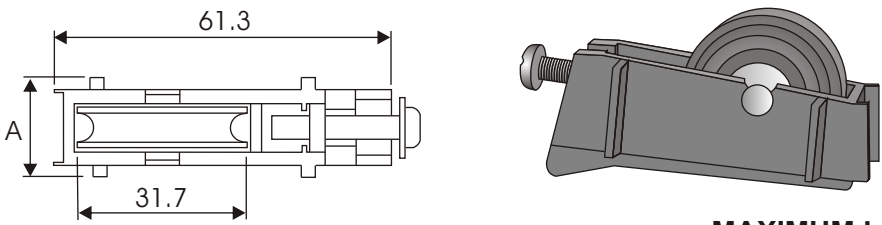


PRODUCT	DIMENSION	AVAILABILITY	PRODUCT USE	
N361SF		****	STEGBAR	
Available with the following Bearing				
	OUTER	INNER	BALLS	LOAD
NR	ACETAL	BRASS PIN	NONE	25Kg
ND	ACETAL	PLATED STEEL	STEEL	25Kg



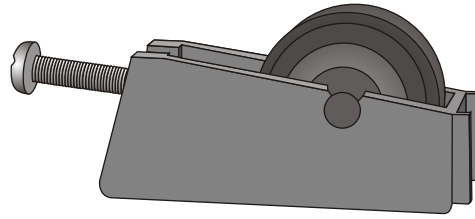
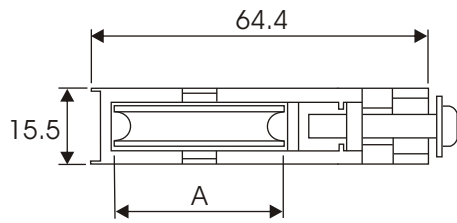
**MAXIMUM LOAD 25KG**

PRODUCT	DIMENSION	AVAILABILITY	PRODUCT USE
N362SF		****	



**MAXIMUM LOAD 25KG**

PRODUCT	DIMENSION A	AVAILABILITY	PRODUCT USE
N326ND	17.6	*	
N3211ND	21.9	****	

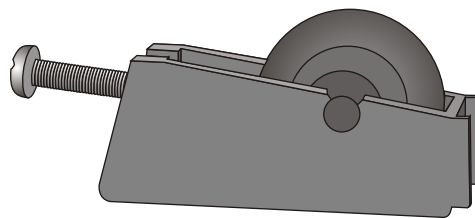
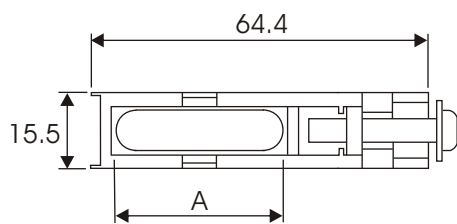


PRODUCT	DIMENSION A	AVAILABILITY	PRODUCT USE
---------	-------------	--------------	-------------

N301SND	30.0	***	BORAL
N3204SF	31.8	***	UZIT
N3209SF	31.8	***	
N324SF	31.8	**	G JAMES

Available with the following Bearing

	OUTER	INNER	BALLS	LOAD
SF	ACETAL	ACETAL	S/S	25Kg
ND	ACETAL	PLATED STEEL	STEEL	25Kg
SND	ACETAL	PLATED STEEL	S/S	25Kg

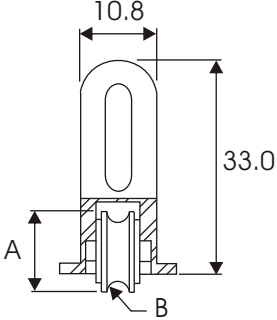
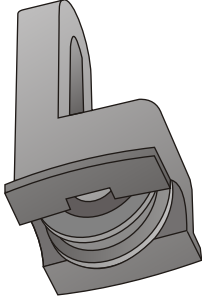


**MAXIMUM LOAD 25KG**

PRODUCT	DIMENSION A	AVAILABILITY	PRODUCT USE
---------	-------------	--------------	-------------

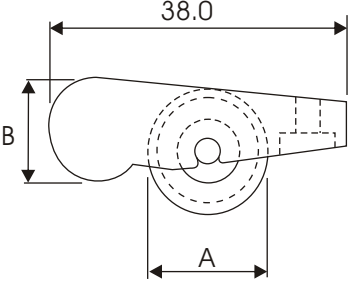
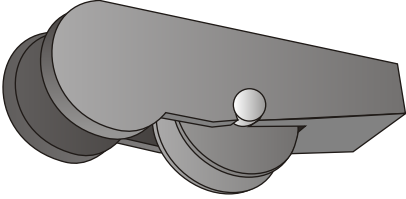
N314NF	31.8	***	
N315NF	31.5	***	MCK PACIFIC
N316NF	31.0	**	



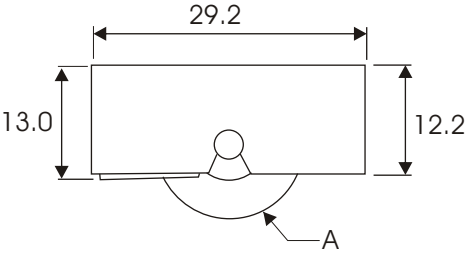
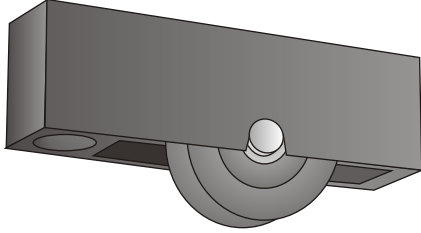



**MAXIMUM LOAD 10KG**

PRODUCT	DIMENSION		AVAILABILITY	PRODUCT USE
	A	B		
N1203N	12.2	1.0	****	
N1205N	12.0	1.6	**	

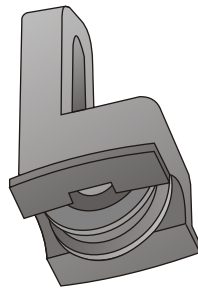
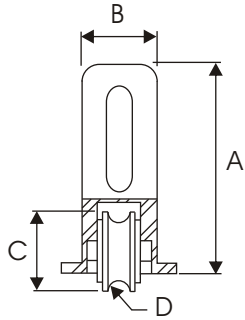



PRODUCT	DIMENSION		AVAILABILITY	PRODUCT USE	LOAD
	A	B			
N1312N	13.4	12.6	****		12KG
N1401N	14.3	12.6	****		12KG
N1408SGL	14.0	12.6	**		12KG
N1501N	14.6	12.6	****	RYLOCK	12KG
N1630NL	15.3	12.4	***		12KG
N1311N	12.8	11.4	****	LIDCO	12KG
N1314N	12.4	11.4	***	DOWELL	12KG

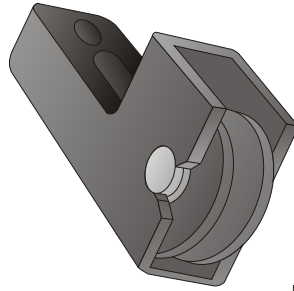
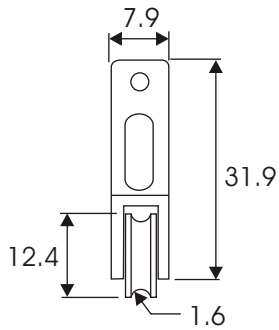
**MAXIMUM LOAD 12KG**

PRODUCT	DIMENSION	AVAILABILITY	PRODUCT USE
	A		
N1303N	12.7	***	HM COWDROY
N1408NL	13.6	***	



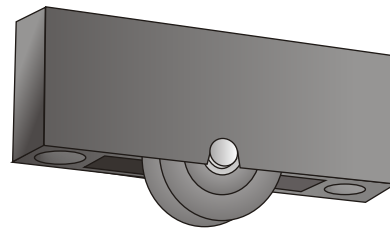
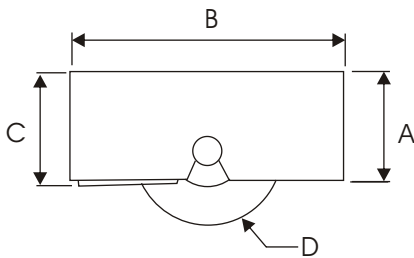
**MAXIMUM LOAD 12KG**

PRODUCT	DIMENSION				AVAILABILITY	PRODUCT USE
	A	B	C	D		
N1318N	31.8	11.1	12.2	1.0	**	ULLRICH
N1402N	35.0	8.9	13.7	1.6	***	
N1403N	35.0	8.9	14.3	1.8	***	
N1405N	32.6	11.0	12.7	1.3	*	



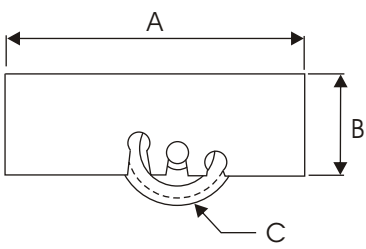
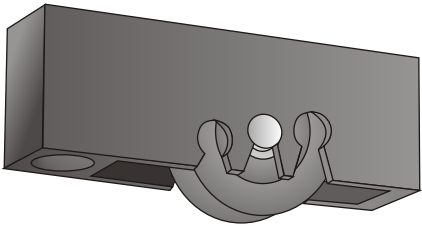
**MAXIMUM LOAD 12KG**

PRODUCT	DIMENSION	AVAILABILITY	PRODUCT USE
N1308N		**	BROADVIEW



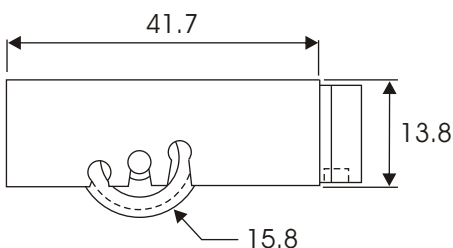
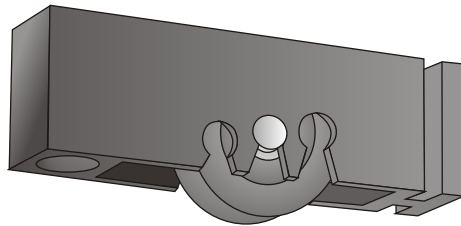
**MAXIMUM LOAD 12KG**

PRODUCT	DIMENSION				AVAILABILITY	PRODUCT USE
	A	B	C	D		
N1304N	8.4	30.0	9.0	12.7	*	WINDUS W H BUTTS
N1409N	8.4	30.0	9.0	13.6	**	
N1502N	16.5	29.0	17.4	14.7	**	
N1503N	13.0	29.2	13.8	14.7	**	
N1602NL	13.0	29.2	13.8	15.9	*	HOMECLAD
N1603N	13.0	29.2	13.8	14.7	***	

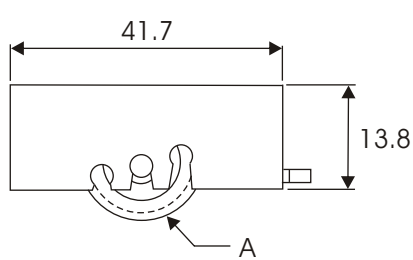
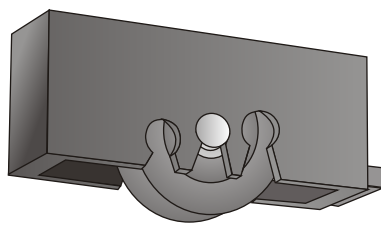
**MAXIMUM LOAD 12KG**

PRODUCT	DIMENSION			AVAILABILITY	PRODUCT USE
	A	B	C		
N1611N	38.1	14.2	15.6	****	
N1616NL	38.1	14.1	15.9	***	
N1622N	38.1	14.1	14.9	***	
N1609N	41.7	13.8	15.4	*	

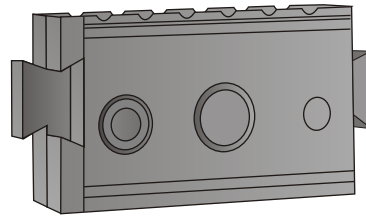
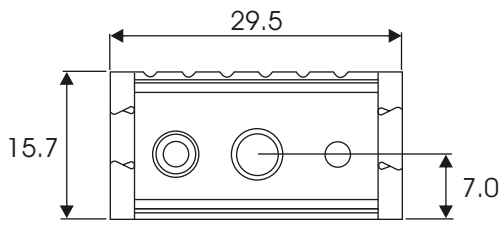
**MAXIMUM LOAD 12KG**

PRODUCT	DIMENSION	AVAILABILITY	PRODUCT USE
N1602N		****	FIN BUILDING

**MAXIMUM LOAD 12KG**

PRODUCT	DIMENSION	AVAILABILITY	PRODUCT USE
	A		
N1608N	15.8	***	ULLRICH
N1621N	16.0	*	



**MAXIMUM LOAD 15KG**

PRODUCT	DIMENSION	AVAILABILITY	PRODUCT USE
N800C		RESTRICTED	BORAL

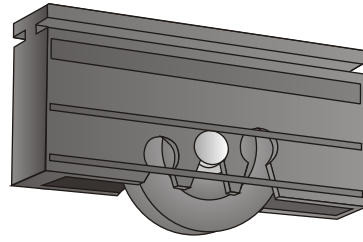
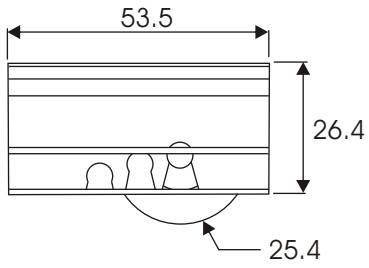
PRODUCT	DIMENSION A	AVAILABILITY	PRODUCT USE	LOAD
N1603SGL	16.0	***	GODWIN	12KG
N1607N	15.5	**		12KG
N1623N	15.8	****		12KG

**MAXIMUM LOAD 10KG**

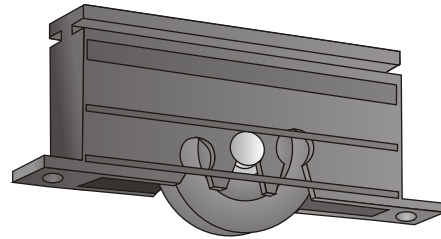
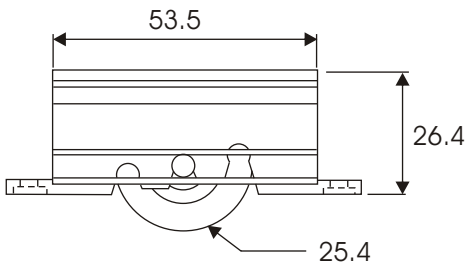
PRODUCT	DIMENSION	AVAILABILITY	PRODUCT USE
N2404SJ		*****	

PRODUCT	DIMENSION A	AVAILABILITY	PRODUCT USE	LOAD
N24SGA	24.3	***	LIDCO	100KG
N2401NL	24.3	***	LIDCO	15KG
N2403SGL	19.7	***		25KG

SLIDING WINDOWS AND INSECT SCREENS

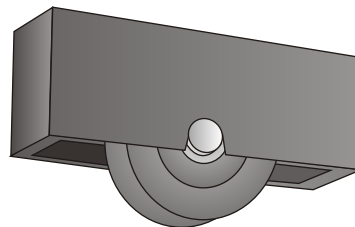
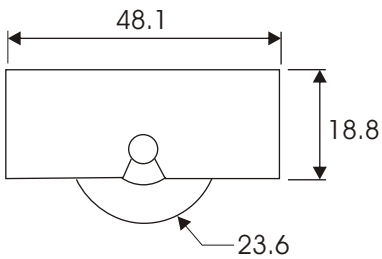


PRODUCT	DIMENSION	AVAILABILITY	PRODUCT USE	LOAD
N25SGL		***		25KG
N253NS		***		15KG



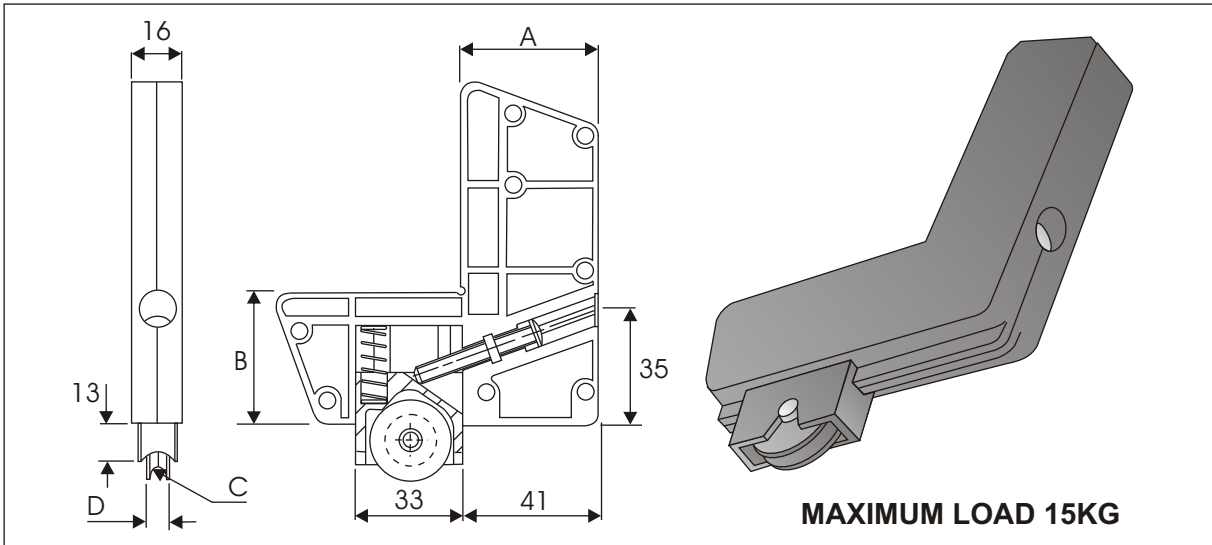
**MAXIMUM LOAD 15KG**

PRODUCT	DIMENSION	AVAILABILITY	PRODUCT USE
N256NS		***	

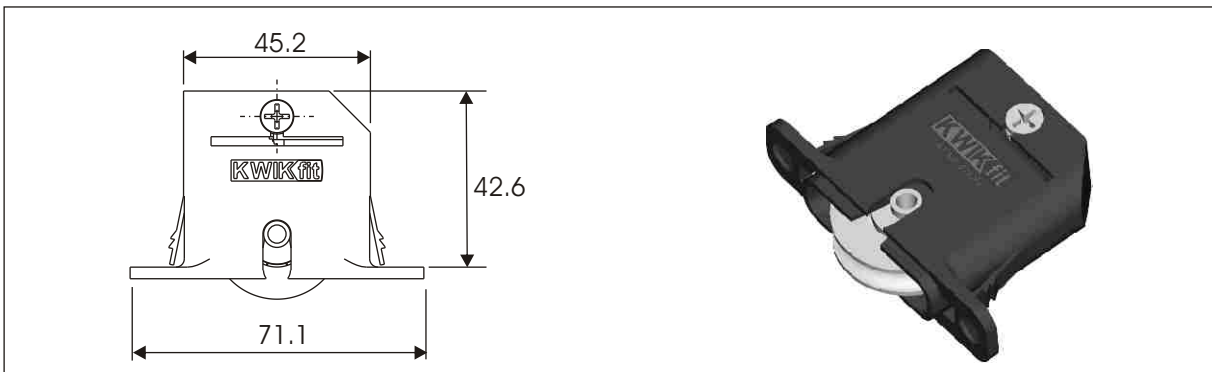


**MAXIMUM LOAD 15KG**

PRODUCT	DIMENSION	AVAILABILITY	PRODUCT USE
N2403SJ		**	

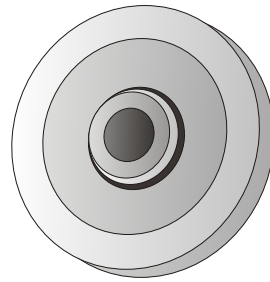
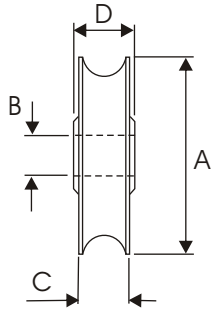


PRODUCT	DIMENSION				AVAILABILITY	BEARING
	A	B	C	D		
N2466N	30.0	34.0	1.0	8.7	***	N246N
N2467N	42.0	42.0	1.0	8.7	**	N246N
N2469N	42.0	42.0	1.4	8.7	**	N241N
N2470N	42.0	42.0	1.8	8.7	***	N247N
N2472N	30.0	34.0	1.4	8.7	*	N241N
N2473N	42.0	42.0	2.5	10.4	***	N249N
N2474N	30.0	34.0	2.2	8.7	**	N242N
N2475N	30.0	34.0	2.5	10.4	***	N249N
N2491N	42.5	42.5	2.5	10.4	*	N249N
N2466SJ	30.2	34.0	2.5	10.4	**	N244SJ
N2467SJ	42.0	42.0	2.5	10.4	****	N244SJ
N2476SJ	42.0	42.0	1.5	10.4	**	N243SJ

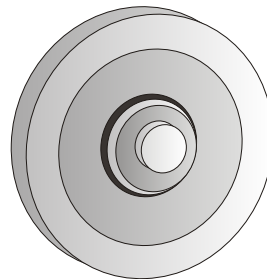
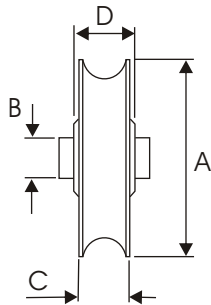


PRODUCT	AVAILABILITY	PRODUCT USE
---------	--------------	-------------

KWIKFIT SERIES (KF3200SF)		*****		
Available with the following Bearing				
	OUTER	INNER	BALLS	LOAD
SF	ACETAL	ACETAL	S/S	25Kg
ND	ACETAL	PLATED STEEL	STEEL	25Kg
SND	ACETAL	PLATED STEEL	S/S	25Kg
SGD	S/S	PLATED STEEL	S/S	50Kg

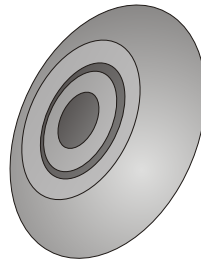
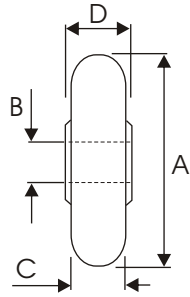


PRODUCT	DIMENSION				LOAD	PRODUCT USE
	A	B	C	D		
NL1601	16.0	3.2	5.0	6.7	12KG	
NS2504	25.4	6.4	5.6	7.0	15KG	
NS2704	26.9	6.4	5.6	6.4	15KG	
ND3201	31.5	6.4	8.0	9.6	25KG	
ND3604	35.8	6.4	8.0	9.6	35KG	
ND3701	36.8	6.4	8.0	9.6	35KG	
ND3709	36.8	9.5	12.0	9.6	35KG	
NE4302	43.0	6.4	8.7	12.0	35KG	

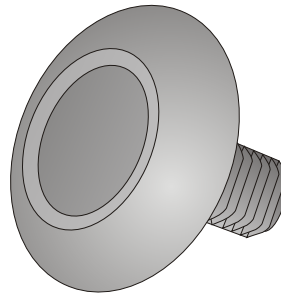
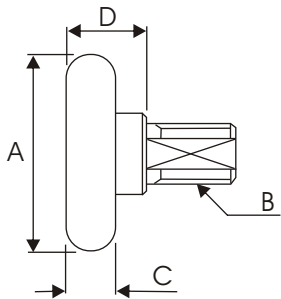


PRODUCT	DIMENSION				LOAD	PRODUCT USE
	A	B	C	D		
NL1602	16.0	3.2	5.4	6.5	12KG	
NS2505	25.4	4.9	5.6	7.0	15KG	
NS2553	25.4	4.9	5.6	6.4	15KG	
NS2705	26.7	4.9	5.6	7.1	15KG	
NS2703	27.4	4.9	5.6	6.4	15KG	
ND3200	31.5	6.4	8.0	9.9	25KG	
SF3208	31.7	4.8	8.0	9.9	25KG	H M COWDROY
ND3606	35.8	5.5	8.0	8.9	35KG	
ND3607	35.8	6.4	8.0	9.6	35KG	BORAL



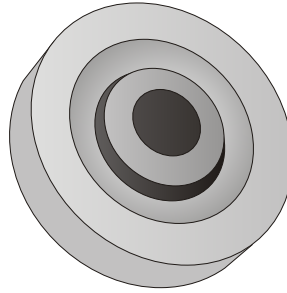
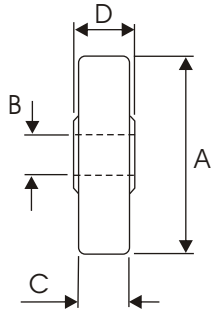


PRODUCT	DIMENSION				LOAD	PRODUCT USE
	A	B	C	D		
NY2505	25.0	6.4	5.6	6.2	20KG	
NB3214	31.2	9.6	8.0	9.5	30KG	
NB3218	31.2	6.4	8.0	9.5	30KG	

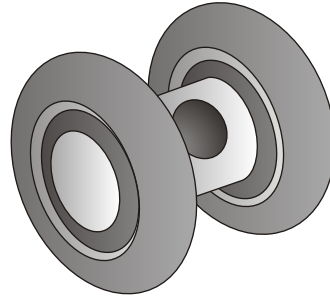
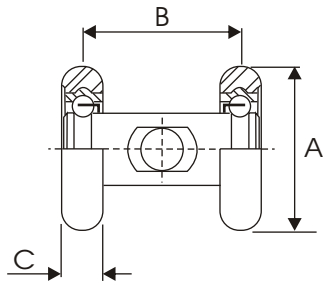


PRODUCT	DIMENSION				LOAD	PRODUCT USE
	A	B	C	D		
ND1908	19.6	M5	6.4	9.1	12KG	
NY2501	25.0	1/4	5.5	11.5	20KG	
ND2901	29.0	3/8	8.5	14.5	35KG	HIDE YA DOOR
ND2903	29.0	3/8	8.5	13.1	35KG	TRACER
SF3105	31.0	M10	8.8	13.1	30KG	D & K SECURITY
NK3102	31.2	3/8	8.0	16.9	35KG	
NB3202	31.2	3/8	8.0	15.2	30KG	
NB3206	31.2	M10	8.0	13.2	30KG	HARDWARE PROD
NE381	37.5	5/16	7.8	11.6	50KG	

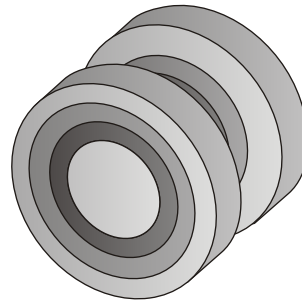
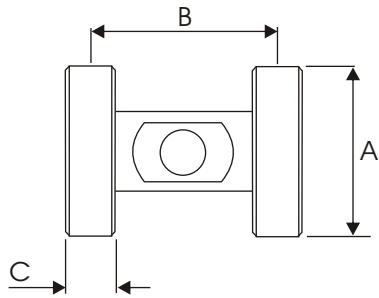
# PLASTIC TYRE



PRODUCT	DIMENSION				LOAD	PRODUCT USE
	A	B	C	D		
ND2801	27.9	6.4	7.0	9.5	35KG	
NE3809	37.0	12.8	12.9	14.3	40KG	
NE3802	37.6	6.4	8.3	10.2	40KG	
NE3804	37.6	6.4	8.5	15.9	40KG	



PRODUCT	DIMENSION			AVAILABILITY	PRODUCT USE	LOAD
	A	B	C			
NE3818	37.5	25.8	8.0	*	ARIKI	80KG
NE382	38.1	25.4	7.9	****	B & D DOORS	80KG
NY251	25.1	24.7	5.5	****	MODERNFOLD	40KG
NY255	25.1	19.0	5.5	****	UNIFOLD	40KG
NY256	19.4	25.1	5.5	**		40KG
NY257	25.1	22.0	5.5	**		40KG



PRODUCT	DIMENSION			AVAILABILITY	PRODUCT USE	LOAD
	A	B	C			
NE385	37.8	22.9	8.5	*	MODERNFOLD	80KG
NY241	23.8	24.8	6.2	*	TROLLOPE	40KG



# THE ANTHONY GROUP

## MELBOURNE

### ANTHONY BEARINGS

68 KEON PARADE  
KEON PARK  
MELBOURNE 3073  
AUSTRALIA

TELEPHONE +61 3 9460 1166  
FACSIMILE +61 3 9460 2191

### ABC COMPONENTS

70 KEON PARADE  
KEON PARK  
MELBOURNE 3073  
AUSTRALIA

TELEPHONE +61 3 9460 2155  
FACSIMILE +61 3 9460 2029

### MALCO INDUSTRIAL PRODUCTS

71-73 OVERSEAS DRIVE  
NOBLE PARK  
MELBOURNE 3174  
AUSTRALIA

TELEPHONE +61 3 9790 5911  
FACSIMILE: +61 3 9790 5922

## SYDNEY

### ANTHONY BEARINGS ABC COMPONENTS MALCO INDUSTRIAL PRODUCTS

20/369 VICTORIA STREET  
WETHERILL PARK  
SYDNEY 2164  
AUSTRALIA

TELEPHONE +61 2 9725 5845  
FACSIMILE +61 2 9725 5929

## AUCKLAND

### ANTHONY BEARINGS ABC CONVEYING SYSTEMS

42 PARKWAY DRIVE  
MAIRANGI BAY  
AUCKLAND 10  
NEW ZEALAND

TELEPHONE +64 9 478 6150  
FACSIMILE: +64 9 479 6394